

*faneco*



**PUBLIC  
TOILET  
SOLUTIONS**

**COLLECTIONS  
2026**



# ABOUT US

For 15 years, we have been designing modern and functional public restroom equipment that ensures hygiene, safety, and user comfort.

We offer solutions tailored to diverse needs—from cost-effective options to high-end designer solutions, including accessible facilities for people with disabilities.

We collaborate with developers, architects, and wholesalers, helping to create modern and functional public spaces.



# CONTENTS

<b>HIT COLLECTION</b>	5				
Collection overview	6				
Product specifications	12				
<b>CALMA COLLECTION</b>	20				
Collection overview	21				
Product specifications	23				
<b>DARK COLLECTION</b>	26				
Product specifications	27				
<b>DUO COLLECTION</b>	28				
Product specifications	29				
<b>ECO COLLECTION</b>	30				
Product specifications	31				
<b>JET COLLECTION</b>	32				
Collection overview	33				
Product specifications	34				
<b>LUNA COLLECTION</b>	36				
Product specifications	37				
<b>MED/LAB COLLECTION</b>	39				
Collection overview	40				
Product specifications	41				
		<b>POP COLLECTION</b>	43		
		Collection overview	44		
		Product specifications	46		
		<b>TOP COLLECTION</b>	51		
		Product specifications	51		
		<b>BARRIER-FREE BATHROOM</b>	53		
		Grab bars	54		
		Shower seats	66		
		Accessories	70		
		<b>DRYERS</b>	71		
		Hair dryers	73		
		Hand dryers	77		
		<b>MIRRORS</b>	84		
		Collection overview	85		
		Product specifications	87		
		<b>PEDAL WASTE BINS</b>	91		
		Product specifications	92		
			93		
			94		
		<b>WATERLESS URINAL</b>	95		
		Product specifications	96		
		<b>BATHROOM FITTINGS</b>	98		
		Collection overview			
		Product specifications	101		
		<b>CHANGING TABLES</b>	102		
		Collection overview	103		
		Product specifications	106		
		<b>STAINLESS STEEL SANITARY PRODUCTS</b>	107		
		Collection overview	109		
		Product specifications	115		
		<b>BUILT-IN ACCESSORIES</b>	117		
		<b>CONSUMABLE ITEMS</b>	120		
		<b>PRODUCT INDEX (ALPHABETICAL)</b>	123		
		<b>CONTACTS</b>			



# HIT COLLECTION

## Minimalism, elegance and high functionality

### Material:

- Matte brushed stainless steel

### AVAILABLE FINISHES:

- Silver, Brushed stainless steel
- Silver with anti-finger coating
- Deep, matte black
- Elegant white

### Products in the collection:

Liquid soap, foam and disinfectant dispensers  
Paper sheet and roll towel dispensers  
Toilet paper containers  
Toilet brushes  
Waste bins



# HIT COLLECTION OVERVIEW

## Liquid soap dispensers



Brushed stainless steel



Black



White



Antifinger



### Manual foam soap dispenser 1 l

Page 12



Brushed stainless steel



Black



White



Antifinger



### Manual liquid soap dispenser 1 l

Page 12



Brushed stainless steel



Black

### Automatic soap dispenser 1 l

Page 12

## Towel dispensers



Black



White



Brushed stainless steel



Antifinger



### Automatic roll towel dispenser Autocut

Page 13

### Paper towel dispenser ZZ HIT S

Page 13



Brushed stainless steel



Black



White



Antifinger



### Paper towel dispenser ZZ HIT

Page 13

## Hooks



Brushed stainless steel



Black



Black



White

### Roll towel dispenser HIT

Page 14

### Hooks HIT

Page 14

# HIT COLLECTION OVERVIEW

## Toilet paper holders



Brushed stainless steel



Black



White



Antifinger



### Toilet paper dispenser HIT Page 14

## Toilet brushes



Brushed stainless steel



Black



Antifinger



### Toilet brush wall-mounted Page 14



Brushed stainless steel



Black



White

### Toilet brush wall-mounted Page 15

**Waste bins**



Brushed stainless steel



Black



White



Antifinger



**Wall-mounted waste bin 7 L**

Page 15



Brushed stainless steel



Black



Antifinger



Matte steel



**Wall-mounted waste bin 23 L**

Page 16



Brushed stainless steel



Black



White



Brushed stainless steel

**Wall-mounted waste bin with lid 30 l**

Page 16

**Wall-mounted paper towel waste bin with frame HIT 23 L**

Page 16

**Wall-mounted waste bin with cover 50 l**

Page 16

# HIT COLLECTION OVERVIEW

## Built-in kits



Steel

**ZZ paper towel dispenser with waste bin HIT**  
Page 15



Steel

**ZZ paper towel dispenser with waste bin HIT**  
Page 15



Steel

**ZZ paper towel dispenser with waste bin HIT**  
Page 15



Steel

**ZZ paper towel dispenser with waste bin HIT**  
Page 15



# HIT COLLECTION

## PRODUCT SPECIFICATIONS



### Foam soap dispenser 1 l HIT

Color/ Product code

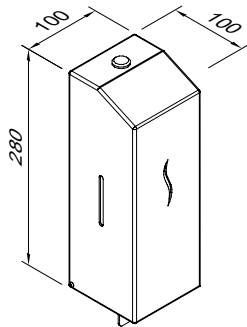
● SF1002SJB

○ SF1002SJW

● SF1002SJBL

● A SF1002SJAF

Key lock closure  
Refill from canister  
2-year „door-to-door“ warranty



Material **Stainless steel 304 brushed**

Finish **Matt**

Capacity **1000 ml**

Control **Foam level inspection window**

System **Drip-free valve**

Button **Manual**

Weight **0,8 kg**

### Liquid soap and disinfectant dispenser 1 l HIT

Color/ Product code

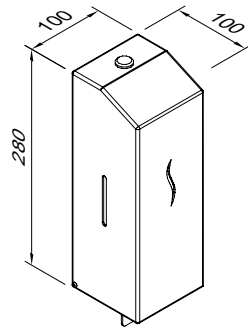
● SA1002SJB

○ SA1002SJW

● SA1002SJBL

● A SA1002SJAF

Key lock closure  
Refill from canister  
2-year „door-to-door“ warranty



Material **Stainless steel 304 brushed**

Finish **Matt**

Capacity **1000 ml**

Control **Soap level inspection window**

System **Drip-free valve**

Button **Manual**

Weight **0,8 kg**

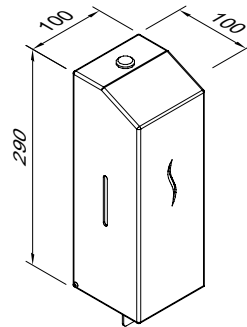
### Automatic soap and disinfectant dispenser 1 l HIT

Color/ Product code

● SA1003SJB

● SA1003JBL

Key lock closure  
Refill from canister  
2-year „door-to-door“ warranty



Material **Stainless steel 304 brushed**

Finish **Matt**

Capacity **1000 ml**

Control **Soap level inspection window**

System **Drip-free valve**

Button **Automatic**

Weight **0,8 kg**

# HIT COLLECTION

## PRODUCT SPECIFICATIONS



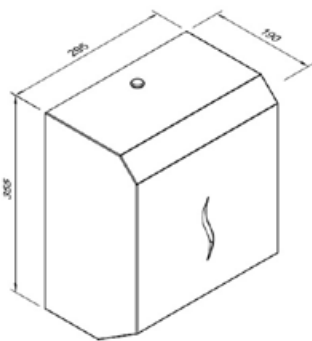
### Automatic roll towel dispenser Autocut HIT

Color/ Product code

● PA22SJBL

○ PA22SJB

Key lock closure  
2-year „door-to-door“ warranty



Material **Stainless steel 304 brushed**

Finish **Matt**

Paper size **Roll Ø13 – 17 cm**

Power supply **Batteries or power adapter**

Weight **4,5 kg**



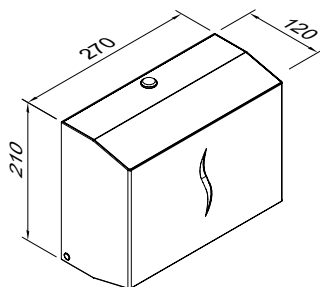
### Paper towel dispenser ZZ HIT S

Color/ Product code

● P300SJB

● A P300SJAF

Key lock closure  
2-year „door-to-door“ warranty



Material **Stainless steel 430 brushed**

Finish **Matt**

Capacity **300 sheets**

Control **Paper level inspection window**

Weight **1,5 kg**



### Paper towel dispenser ZZ HIT

Color/ Product code

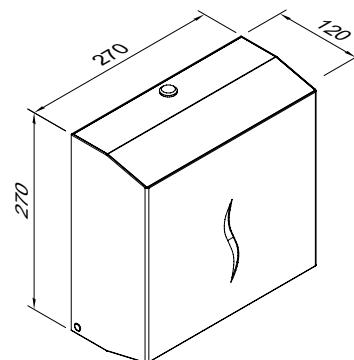
● P600SJB

● P600SJBL

○ P600SJW

● A P600SJAF

Key lock closure  
2-year „door-to-door“ warranty



Material **Stainless steel 430 brushed**

Finish **Matt**

Capacity **600 sheets**

Control **Paper level inspection window**

Weight **1,8 kg**



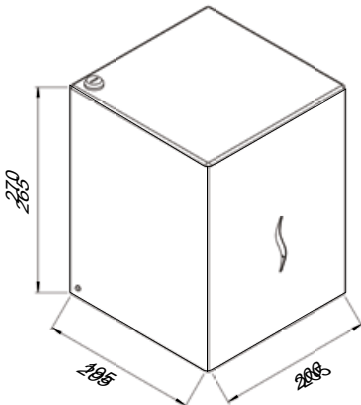
## Roll Paper towel dispenser HIT

Color/ Product code

● P22SJB

● P22SJBL

Key lock closure  
2-year „door-to-door“ warranty



Material **Stainless steel 304 brushed**

Finish **Matt**

Paper size **Roll Ø20 cm**

Weight **2,2kg**

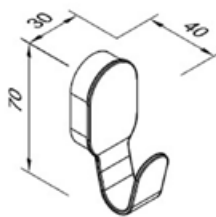
## Hooks HIT

Color/ Product code

● IG22BL

○ IG22WH

2-year „door-to-door“ warranty



Material **Stainless steel 304  
Powder-coated**

Steel thickness **3 mm**

Weight **0,05 kg**

## Toilet paper dispenser HIT

Color/ Product code

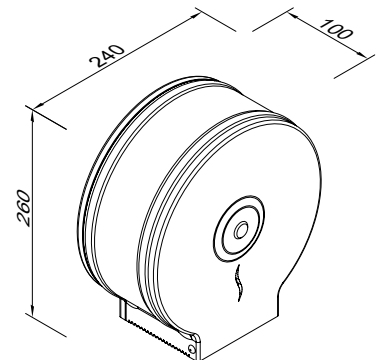
● J25SJB

● J25SJBL

○ J25SJW

● A J25SJAF

Key lock closure  
2-year „door-to-door“ warranty



Material **Stainless steel 430 brushed**

Finish **Matt**

Control **Paper level inspection window**

Paper size **Roll Ø18 - 23 cm,  
Spindle 4,3 cm**

Weight **1,4 kg**

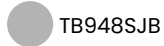
# HIT COLLECTION

## PRODUCT SPECIFICATIONS



### Toilet brush wall-mounted HIT

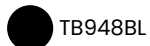
Color/ Product code



TB948SJB

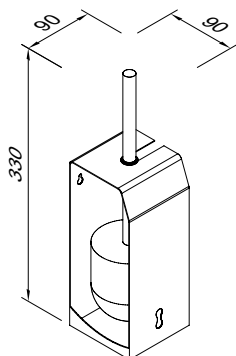


TB948SJAF



TB948BL

1-year „door-to-door“ warranty



Material **Stainless steel 430**

Finish **Matt**

Installation method **Wall-mounted**

Weight **0,4kg**

### Toilet brush wall-mounted HIT

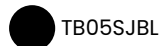
Color/ Product code



TB05SJB

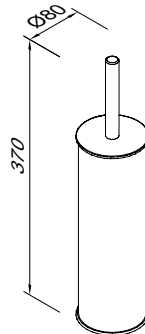


TB05SJW



TB05SJB

1-year „door-to-door“ warranty



Material **Stainless steel 430**

Finish **Matt**

Installation method **Wall-mounted**

Weight **0,35kg**

### Wall-mounted sanitary waste bin 7 l matt stainless steel HIT

Color/ Product code



WB7SJB



WB7SJW

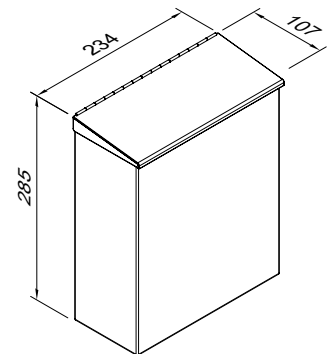


WB7BL



WB7SJAF

2-year „door-to-door“ warranty



Material **Stainless steel 430**

Finish **Matt**

Capacity **7l**

Weight **1,7kg**



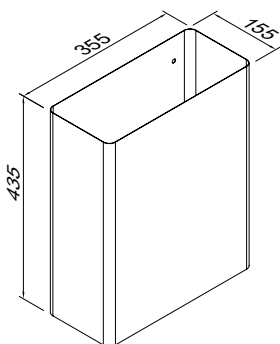
**Waste bin wall-mounted 23 l HIT**

Color/ Product code

WB23SHB      **A** WB23SHAF

WB23SHBL

2-year „door-to-door“ warranty



Material **Stainless steel 430**

Finish **Matt**

Capacity **23l**

Weight **3,25kg**

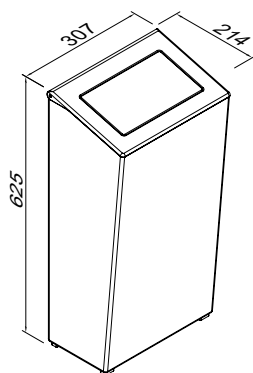
**Wall mounted trash bin with lid 30 l matt stainless steel**

Color/ Product code

WB30S      ○ WB30SJW

WB30BL

2-year „door-to-door“ warranty



Material **Stainless steel 430**

Finish **Matt**

Capacity **30l**

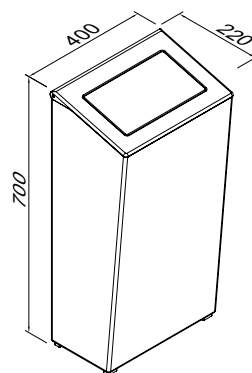
Weight **5kg**

**Wall mounted trash bin with lid 50 L matt stainless steel**

Color/ Product code

WB50S

2-year „door-to-door“ warranty



Material **Stainless steel 430**

Finish **Matt**

Capacity **50l**

Weight **7kg**



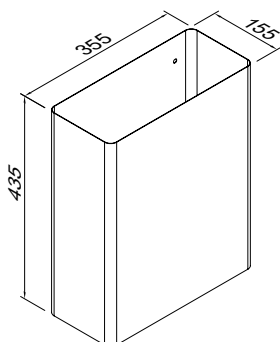
**Waste bin wall-mounted 23 l HIT**

Color/ Product code

● WB23SHB      ● **A** WB23SHAF

● WB23SHBL

2-year „door-to-door” warranty



Material **Stainless steel 430**

Finish **Matt**

Capacity **23l**

Weight **3,25 kg**

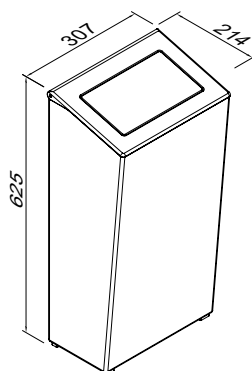
**Wall mounted trash bin with lid 30 l matt stainless steel**

Color/ Product code

● WB30S      ○ WB30SJW

● WB30BL

2-year „door-to-door” warranty



Material **Stainless steel 430**

Finish **Matt**

Capacity **30l**

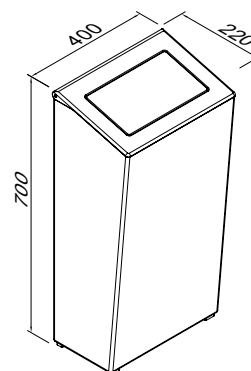
Weight **5kg**

**Wall mounted trash bin with lid 50 l matt stainless steel**

Color/ Product code

● WB50S

2-year „door-to-door” warranty



Material **Stainless steel 430**

Finish **Matt**


Capacity **50l**

Weight **7kg**



**Wall-mounted paper towel waste bin with frame HIT 23 L**

Color/ Product code

 WBL23SHB

2-year "door-to-door" warranty

**ZZ paper towel dispenser with waste bin HIT**

Color/ Product code

 HDC720SJB

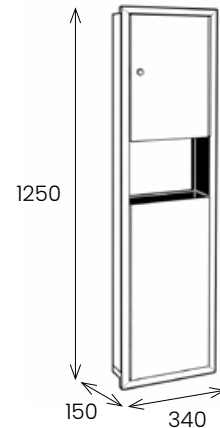
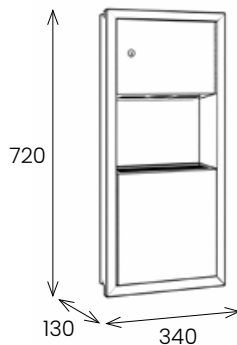
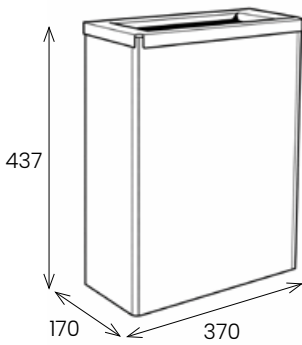
2-year "door-to-door" warranty

**ZZ paper towel dispenser with waste bin HIT**

Color/ Product code

 HDC1250SJB

2-year "door-to-door" warranty



Material **Brushed stainless steel 430**

Finish **Matte**

Capacity **23L**

Weight **3.65kg**

Material **AISI 304 stainless steel**

Finish **Matte**

Lock **Key lock**

Dispenser capacity **300 sheets**

Waste bin capacity **10L**

Installation **Recessed**

Material **AISI 304 stainless steel**

Finish **Matte**

Lock **Key lock**

Dispenser capacity **400 sheets**

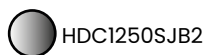
Waste bin capacity **10L**

Installation **Recessed**

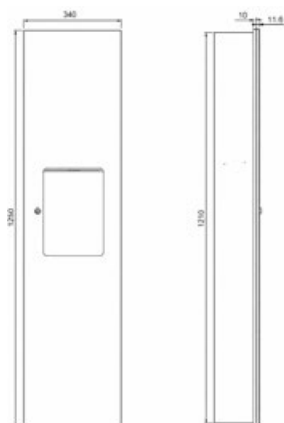


**ZZ paper towel dispenser with waste bin HIT**

Color / Product code



2-year "door-to-door" warranty



Material **AISI 304 stainless steel**

Finish **Matte**

Lock **Key lock**

Dispenser capacity **400 sheets**

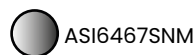
Waste bin capacity **20L**

Installation **Recessed**

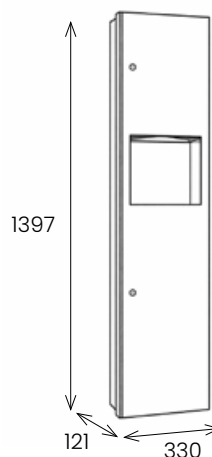


**ZZ paper towel dispenser with waste bin HIT**

Color / Product code



2-year "door-to-door" warranty



Material **AISI 304 stainless steel**

Finish **Matte**

Lock **Key lock**

Dispenser capacity **600 sheets**

Waste bin capacity **16L**

Installation **Recessed**

# Stainless steel that always looks like new

## The power of Anti-Finger technology



### **Anti-Finger - How it works.**

An invisible nano-coating that reduces fingerprints, grease and dust - without changing the color or finish of the steel.

### **Clean less. Lower costs.**

Up to 70% lower cleaning costs:  
less chemicals, less labor, more time saved.



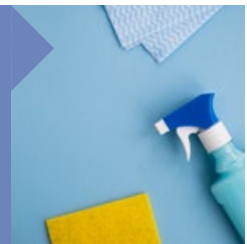
### **Looks clean. Stays clean.**

Fingerprints? Barely visible.



### **Minimal effort.**

All you need is a microfiber cloth and water.



### **Built for heavy use.**

Offices, schools, hotels, commercial facilities  
and high-traffic spaces.



Available in selected HIT collection products.

# CALMA COLLECTION

**Elegant accessories with an antistatic, pleasant to the touch soft-touch finish**

## **Material:**

- Antistatic ABS plastic
- Soft touch coating
- Brushed stainless steel 304

## **Available colors:**

- CALMA BLACK - deep black
- CALMA WHITE - elegant white
- CALMA INOX - mat steel

---

## **Products in the collection:**

Liquid soap dispensers  
Sheet and roll towel dispensers  
Toilet paper dispensers



# CALMA COLLECTION OVERVIEW

## Dispensers



White



Black



Steel



**Liquid soap dispenser 0,9 l Calma**

Page 24

## Toilet paper dispensers



White



Black



Steel



**Toilet paper holder Calma**

Page 24

## Paper towel dispensers



White



Black



Steel



**Paper towel container ZZ Calma**

Page 25

# CALMA COLLECTION OVERVIEW

## Paper towel dispensers



White



Black

**Paper towel container ZZ Calma**

Page 25

## Automatic paper towel dispensers



White

**Automatic Autocut paper towel roll dispenser CALMA**

Page 25



# CALMA COLLECTION

## PRODUCT SPECIFICATIONS



### Liquid soap dispenser 0,9 l Calma

Color/ Product code



CJ9100LPN



CJ4110SA



CJ9100LPB

Key lock closure  
Refill from canister  
2-year „door-to-door“ warranty

Dimensions **Height 213 mm**  
**Width 113 mm**  
**Depth 102 mm**

Material **Plastic ABS antistatic**  
(CJ9100LPN, CJ9100LPB)  
**AISI 304 stainless steel**  
(CJ4110SA)

Capacity **900 ml**

Control **Soap level inspection window**

System **Drip-free valve**

Button **Manual**

Weight **0.35 kg** (CJ9100LPN, CJ9100LPB)  
**0.60 kg** (CJ4110SA)

### Toilet paper holder Calma

Color/ Product code



CP3000PN



CP4300SA



CP3000PB

Key lock closure  
2-year „door-to-door“ warranty

Dimensions **Height 277 mm**  
**Width 268 mm**  
**Depth 115 mm**

Material **Plastic ABS antistatic**  
(CP3000PN CP3000PB)  
**AISI 304 stainless steel**  
(CP4300SA)

Control **Paper level inspection window**

Paper size **Roll diameter 18 - 27 cm,**  
**Spindle 4,5cm**

Weight **0.60 kg** (CP3000PN, CP3000PB)  
**0.75 kg** (CP4300SA)



### Paper towel dispenser ZZ Calma

Color/ Product code



CT6100PN



CT4600SA



CT6100PB

Key lock closure  
2-year „door-to-door“ warranty

### Roll paper towel dispenser Calma

Color/ Product code



CM1100PN



CM1100PB

Key lock closure  
2-year „door-to-door“ warranty

### Automatic Autocut paper towel roll dispenser CALMA

Color/ Product code



CTA6000PB

Key lock closure  
2-year „door-to-door“ warranty

Dimensions **Height 368 mm**  
**Width 278 mm**  
**Depth 122 mm**

Dimensions **Height 320 mm**  
**Width 222 mm**  
**Depth 222 mm**

Dimensions **Height 355 mm**  
**Width 295 mm**  
**Depth 190 mm**

Material **Plastic ABS antistatic**  
(CT6100PN CT6100PB)  
**AISI 304 stainless steel**  
(CT4600SA)

Material **Plastic ABS antistatic**

Paper size **Roll max Ø 21 cm.**

Material **Antistatic ABS plastic**

Paper size **Roll max Ø 190 mm**

Capacity **600 sheets**

Control **Paper level inspection window**

Weight **0.75 kg**

Level control **Paper level inspection window**

Weight **2.2 kg**

Weight **0.75 kg** (CT6100PN, CT6100PB)  
**0.95 kg** (CT4600SA)

# DARK COLLECTION

Cost-effective and durable accessories  
in modern design and fashionable black

## Material:

- ABS plastic

## Available finishes:

- Deep black

## Products in the collection:

Liquid soap dispensers  
Sheet and roll towel dispensers  
Toilet paper dispensers

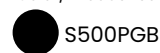


The products have  
a valid hygiene  
certificate issued  
by the National Institute  
of Public Health (PZH).

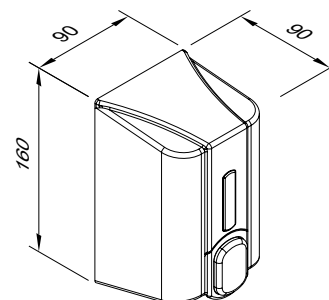


## Liquid soap dispenser 0,5l DARK

Color/ Product code



Key lock closure  
Refill from canister  
2-year „door-to-door” warranty



Material **Plastic ABS**

Capacity **500 ml**

Control **Soap level inspection window**

Weight **0,23 kg**

# DARK COLLECTION

## PRODUCT SPECIFICATIONS

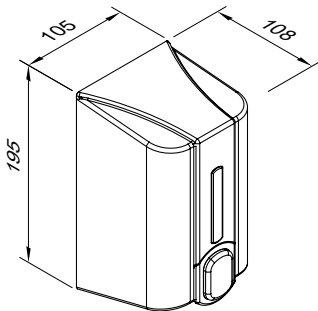


### Liquid soap dispenser 11 DARK

Color/ Product code

● S1000PGB

Key lock closure  
Refill from canister  
2-year „door-to-door” warranty



Material **Plastic ABS**

Capacity **1000 ml**

Weight **0,33 kg**

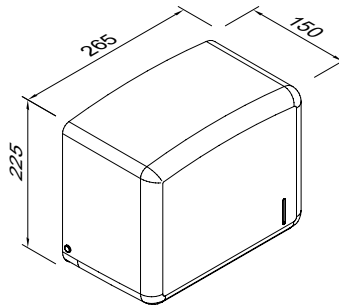


### Paper towel dispenser ZZ DARK

Color/ Product code

● P300POB

Key lock closure  
2-year „door-to-door” warranty



Material **Plastic ABS**

Capacity **400 sheets**

Control **Paper level inspection window**

Weight **0,5 kg**

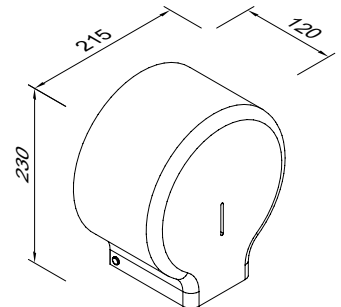


### Toilet paper dispenser DARK

Color/ Product code

● J18POB

Key lock closure  
2-year „door-to-door” warranty



Material **Plastic ABS**

Paper size **Roll Ø18 – 21 cm,  
Spindle 4 cm**

Weight **0,38kg**

# DUO COLLECTION

## Elegant high gloss stainless steel accessories

### Material:

- 430 stainless steel polished natural

### Available finishes:

- Natural high gloss steel

### Products in the collection:

Liquid soap dispensers  
Sheet and roll towel dispensers  
Toilet paper dispenser

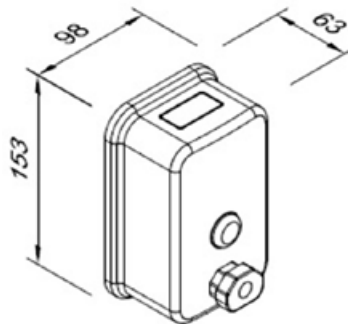


**Liquid soap dispenser 0,5 l DUO**

Color/ Product code



2-year „door-to-door“ warranty  
Refill from canister  
Key lock closure



Material **Stainless steel 430 polished**

Finish **Gloss steel**

Capacity **500 ml**

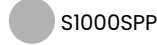
Control **Soap level inspection window**

Weight **0,33 kg**

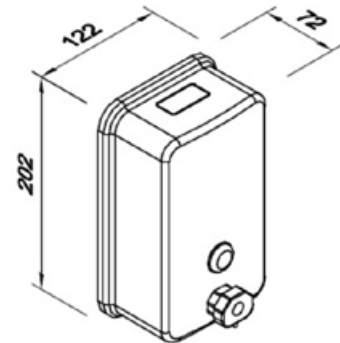


**Liquid soap dispenser 1 l DUO**

Color/ Product code



2-year „door-to-door“ warranty  
Refill from canister  
Key lock closure



Material **Stainless steel 430 polished**

Finish **Glossy**

Capacity **1000 ml**

Control **Soap level inspection window**

Weight **0,6 kg**

# DUO COLLECTION

## PRODUCT SPECIFICATIONS

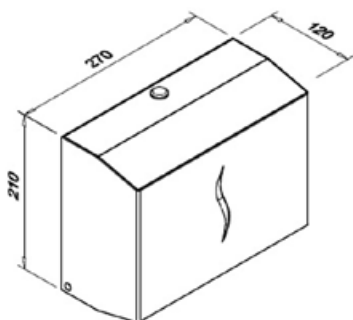


### Paper towel dispenser ZZ DUO

Color/ Product code

 P300SJP

Key lock closure  
2-year „door-to-door” warranty



Material **Stainless steel 430 polished**

Capacity **300 sheets**

Finish **Glossy**

Control **Paper level inspection window**

Weight **1,5 kg**

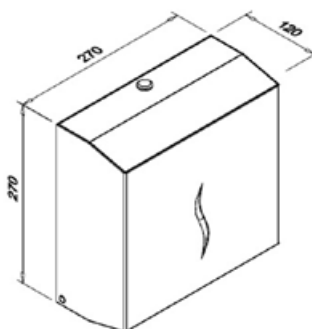


### Paper towel dispenser ZZ DUO

Color/ Product code

 P600SJP

Key lock closure  
2-year „door-to-door” warranty



Material **Stainless steel 430 polished**

Capacity **600 sheets**

Finish **Glossy**

Control **Paper level inspection window**

Weight **1,8 kg**

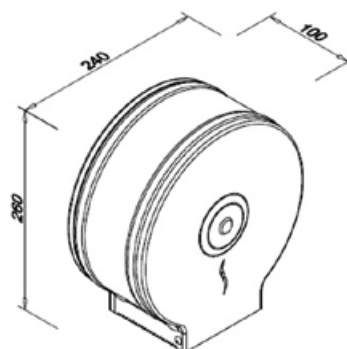


### Toilet paper dispenser DUO

Color/ Product code

 J25SJP

Key lock closure  
2-year „door-to-door” warranty



Material **Stainless steel 430 polished**

Finish **Glossy**

Control **Paper level inspection window**

Paper size **Roll Ø18 - 23 cm,  
Spindle 4,3 cm**

Weight **1,4 kg**

# ECO COLLECTION

Functional and economical equipment  
for public toilets

## Material

- ABS plastic

## Available finishes:

- Classic white

## Products in the collection:

Liquid soap dispensers  
Sheet and roll towel dispensers  
Toilet paper dispenser



The products have  
a valid hygiene  
certificate issued  
by the National Institute  
of Public Health (PZH).

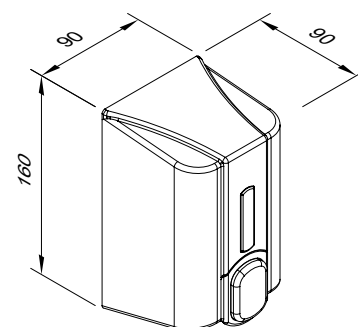


## Liquid soap dispenser 0,5 l ECO

Color/ Product code

○ S500PGW

Key lock closure  
Refill from canister  
2-year „door-to-door” warranty



Material **Plastic ABS**

Capacity **500 ml**

Control **Soap level inspection window**

System **Drip-free valve**

Button **Manual**

Weight **0,23 kg**

# ECO COLLECTION

## PRODUCT SPECIFICATIONS

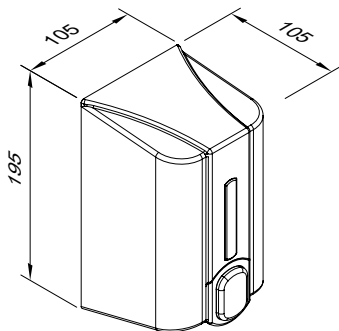


### Liquid soap dispenser 11 ECO

Color/ Product code

○ S1000PGW

Key lock closure  
Refill from canister  
2-year „door-to-door” warranty



Material **Plastic ABS**

Capacity **1000 ml**

Control **Soap level inspection window**

System **Drip-free valve**

Button **Manual**

Weight **0,33 kg**

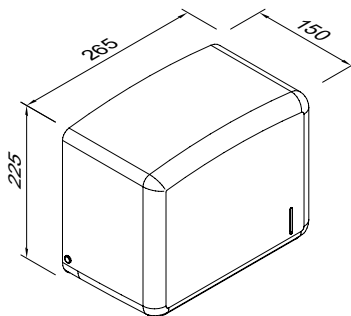


### Towel dispenser ZZ ECO

Color/ Product code

○ P300POW

Key lock closure  
2-year „door-to-door” warranty



Material **Plastic ABS**

Capacity **400 sheets**

Control **Paper level inspection window**

Weight **0,5 kg**

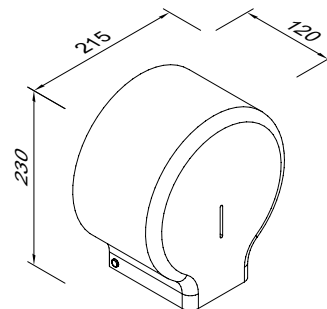


### Toilet paper holder ECO

Color/ Product code

○ J18POW

Key lock closure  
2-year „door-to-door” warranty



Material **Plastic ABS**

Paper size **Roll Ø18 - 21 cm,  
Spindle 4 cm**

Control **Paper level inspection  
window**

Weight **0,38 kg**

# JET COLLECTION

## Durable public restroom accessories with a transparent finish

### Material:

- ABS plastic

### Available finishes:

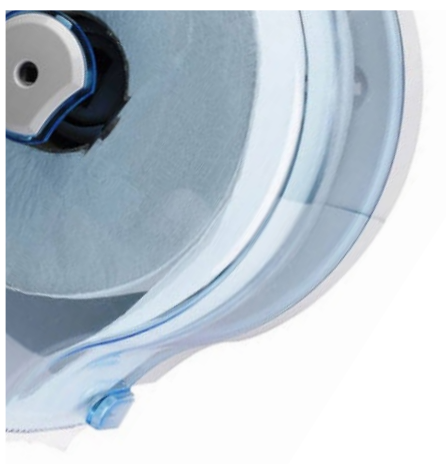
- Transparent

### Products in the collection:

Liquid soap dispensers  
Sheet and roll towel dispensers  
Toilet paper dispensers



The products have a valid hygiene certificate issued by the National Institute of Public Health (PZH).



# JET COLLECTION OVERVIEW

## Dispensers



Transparent

**Liquid soap dispenser JET 0,5l**  
Page 28



Transparent

**Liquid soap dispenser JET 1l**  
Page 28



Transparent

**Paper towel dispenser ZZ JET**  
Page 28



Transparent

**Toilet paper dispenser JET S**  
Page 29



Transparent

**Roll towel dispenser JET**  
Page 29


# JET COLLECTION

## PRODUCT SPECIFICATIONS

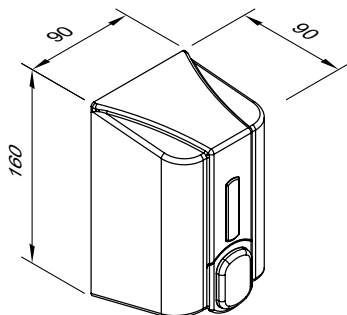


### Liquid soap dispenser 0,5 l JET

Color/ Product code

 S500PGWT

Key lock closure  
Refill from canister  
2-year „door-to-door“ warranty



Material **Plastic ABS**

Capacity **500 ml**


System **Drip-free valve**

Button **Manual**

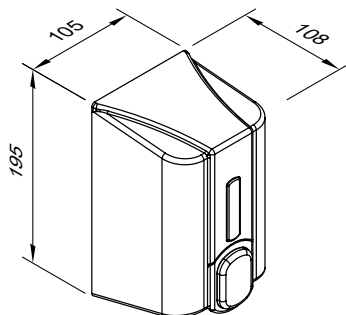
Weight **0,23 kg**

### Foam soap dispenser 1 l JET

Color/ Product code

 S1000PGWT

Key lock closure  
Refill from canister  
2-year „door-to-door“ warranty



Material **Plastic ABS**

Capacity **1000 ml**


System **Drip-free valve**

Button **Manual**

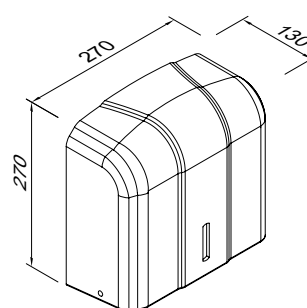
Weight **0,33 kg**

### Paper towel dispenser ZZ JET

Color/ Product code

 P400PGWT

Key lock closure  
2-year „door-to-door“ warranty



Material **Plastic ABS**

Capacity **400 sheets**

Weight **0,7 kg**

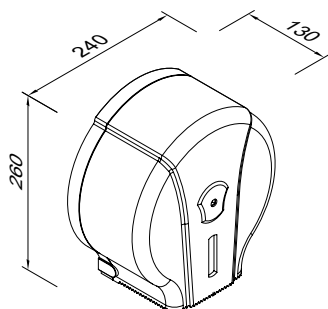


**Toilet paper dispenser JET S**

Color/ Product code

J18PGWT

Key lock closure  
2-year „door-to-door” warranty



Material **Plastic ABS**

Paper size **Roll Ø18 – 23 cm,  
Spindle 4,5 / 5,5 cm**

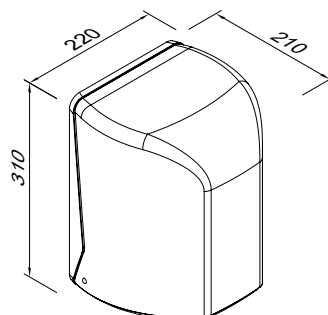
Weight **0,6 kg**

**Roll towel dispenser JET**

Color/ Product code

P22PGWT

Key lock closure  
2-year „door-to-door” warranty



Material **Plastic ABS**

Paper size **Roll o max Ø20 cm  
Roll width 21 cm**

Weight **0,95 kg**

**The products have a valid hygiene certificate issued by the National Institute of Public Health (PZH).**

# LUNA COLLECTION

**Durability and understated design for spaces that demand style and durability**

## Material:

- Stainless steel 304 brushed

## Available finishes:

- Natural matt steel

## Products in the collection:

Liquid soap dispenser  
Sheet and roll towel dispensers  
Toilet paper dispensers

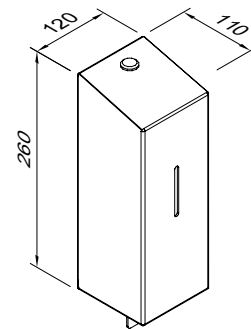


## Liquid soap dispenser 0,75 l LUNA

Color/ Product code

● S750TSNB

Key lock closure  
Refill from canister  
2-year „door-to-door“ warranty



Material **Stainless steel 304 brushed**

Capacity **750 ml**

Finish **Matt steel**

Steel thickness **1mm**

Control **Soap level inspection window**


System **Drip-free valve**

Button **Manual**

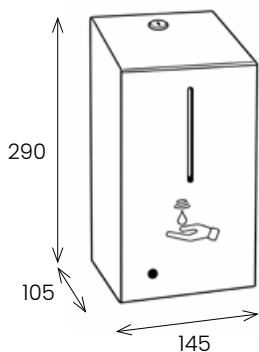
Weight **1kg**



**Automatic liquid soap or disinfectant dispenser 1 L LUNA**

Color/ Product code  
 SA1000TSNB

Key lock closure  
 2-year „door-to-door“ warranty



Material **Brushed AISI 304 stainless steel**

Capacity **1000 ml**

Finish **Matte**

Steel thickness **1mm**

Level control **Soap level inspection window**

System **Non-drip valve**

Dispensing method **Automatic**

Power supply **Batteries or power adapter**

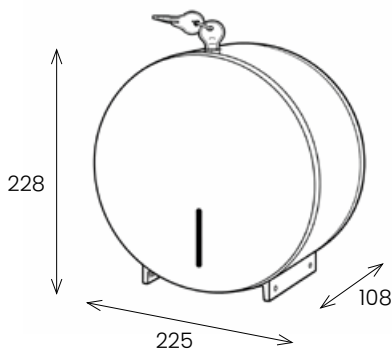
Weight **1.75 kg**



**Toilet paper dispenser LUNA, matte steel**

Color/ Product code  
 J25SNBTR1

Key lock closure  
 2-year „door-to-door“ warranty



Material **Brushed AISI 304 stainless steel**

Paper size **Roll Ø19 cm**

Finish **Matte**

Steel thickness **1mm**

Level control **Paper level inspection window**

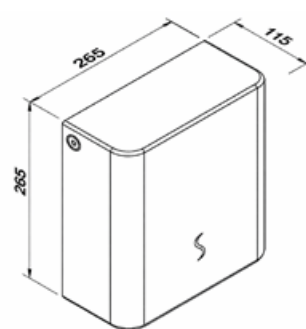
Weight **2kg**



**ZZ paper towel dispenser LUNA, matte steel**

Color/ Product code  
 P600TSNB

Key lock closure  
 2-year „door-to-door“ warranty



Material **Brushed AISI 304 stainless steel**

Capacity **600 sheets**

Finish **Matte**

Steel thickness **0.8mm**


Level control **Paper level inspection window**

Weight **1.4 kg**

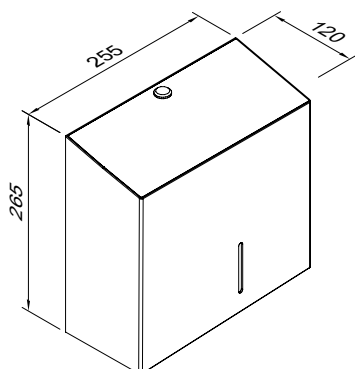


## Towel dispenser ZZ Luna

Color/ Product code

 P600TSNB

Key lock closure  
2-year „door-to-door“ warranty



Material **Stainless steel 304 brushed**

Capacity **600 sheets**

Finish **Matt steel**

Steel thickness **1mm**

Control **Paper level inspection window**

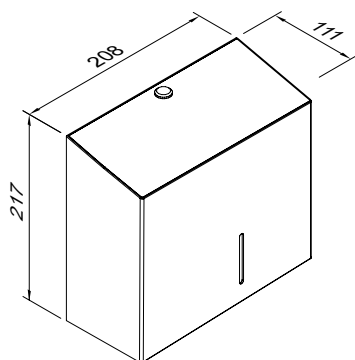
Weight **2kg**

## Toilet paper holder LUNA

Color/ Product code

 J25TSNB

Key lock closure  
2-year „door-to-door“ warranty



Material **Stainless steel 304 brushed**

Paper size **Roll diameter 19 cm, Spindle 5,6 cm**

Finish **Matt steel**

Steel thickness **1mm**

Control **Paper level inspection window**

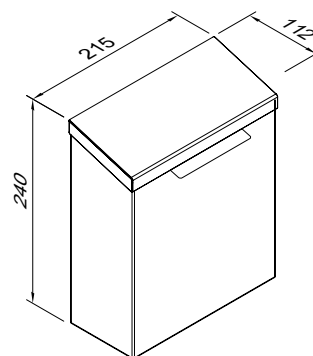
Weight **2kg**

## Wall-mounted waste bin 4,2 l LUNA

Color/ Product code

 WB4SNB

2-year „door-to-door“ warranty



Material **Stainless steel 304 brushed**

Finish **Matt steel**

Steel thickness **1mm**

Capacity **4,2l**

Installation method **Wall-mounted**

Weight **1,21kg**

# MED/LAB COLLECTION

**Soap, foam and disinfectant dispensers for places where safety and hygiene are a priority**

## Material:

- ABS plastic
- Stainless steel 430

## Available finishes:

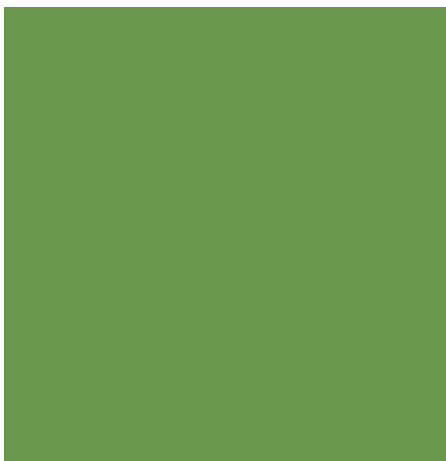
- Deep black
- White
- Brushed stainless steel

## Products in the collection:

Soap and disinfectant dispensers  
Elbow-operated dispensers



**The products have a valid hygiene certificate issued by the National Institute of Public Health (PZH).**



# MED/LAB COLLECTION OVERVIEW

## Dispensers



Black

**Black automatic liquid soap dispenser 1 l MED BLACK**  
Page 41



Black

**Black automatic foam soap dispenser 1 l MED BLACK**  
Page 41



Black

**Black automatic disinfectant dispenser 1 l MED BLACK**  
Page 41



White

**Automatic liquid soap dispenser 1 l MED**  
Page 41



White

**Automatic foam soap dispenser 1 l MED**  
Page 41



White

**Automatic disinfectant dispenser 1 l MED**  
Page 41



Brushed stainless steel

**Automatic touchless liquid soap and sanitizer dispenser**  
Page 42



White

**Elbow-operated dispenser for disinfectant liquids, liquid soap, and lotions 0,5 l**  
Page 42



White

**Elbow-operated dispenser for disinfectant liquids, liquid soap, and lotions 1 l**  
Page 42

# MED/LAB COLLECTION

## PRODUCT SPECIFICATIONS



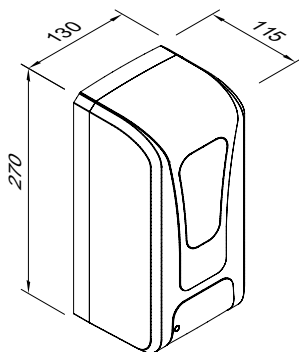
### Automatic liquid soap dispenser 1 l MED

Color/ Product code

● S1000PUB

○ S1000PUWG

Key lock closure  
Refill from canister  
2-year „door-to-door“ warranty



Material **Plastic ABS**

Capacity **1000 ml**

Control **Soap level inspection window**

System **Drip-free valve**

Dispensing **Automatic**  
method

Power supply **Batteries or power adapter**

Weight **0,89 kg**

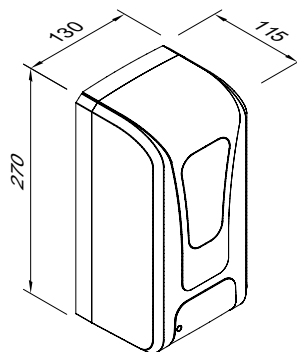
### Automatic foam soap dispenser 1 l MED

Color/ Product code

● SF1000PUB

○ SF1000PUWG

Key lock closure  
Refill from canister  
2-year „door-to-door“ warranty



Material **Plastic ABS**

Capacity **1000 ml**

Control **Soap level inspection window**

System **Drip-free valve**

Dispensing **Automatic**  
method

Power supply **Batteries or power adapter**

Weight **0,89 kg**

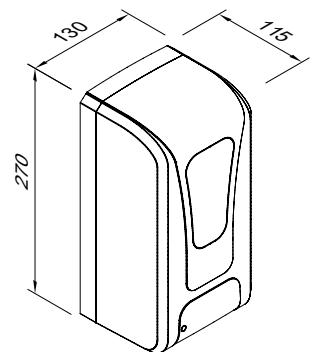
### Automatic disinfectant dispenser 1 l MED

Color/ Product code

● SA1000PUB

○ SA1000PUWG

Key lock closure  
Refill from canister  
2-year „door-to-door“ warranty



Material **Plastic ABS**

Capacity **1000 ml**

Control **Soap level inspection window**

System **Drip-free valve**

Dispensing **Automatic**  
method

Power supply **Batteries or power adapter**

Weight **0,89 kg**

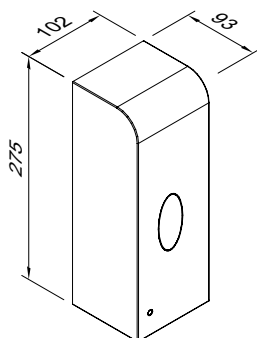


**Automatic touchless liquid soap and sanitizer dispenser**

Color/ Product code

● S1000ASPB

Key lock closure  
Refill from canister  
2-year „door-to-door“ warranty



Material **Stainless steel 430**

Capacity **1000 ml**

Control **Soap level inspection window**

System **Drip-free valve**

Dispensing method **Automatic**

Power supply **Batteries or power adapter**

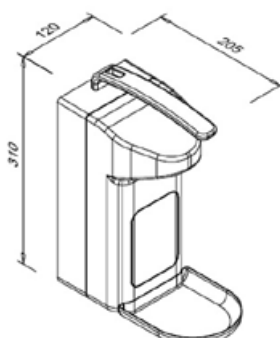
Weight **0,89 kg**

**Elbow-operated dispenser for disinfectant liquids, liquid soap, and lotions 0,5 l**

Color/ Product code

○ MED500PBWG

Key lock closure  
Refill from canister  
2-year „door-to-door“ warranty



Material **Plastic ABS**

Capacity **500 ml**

Control **Soap level inspection window**

Dispensing method **Button  
Elbow-operated**

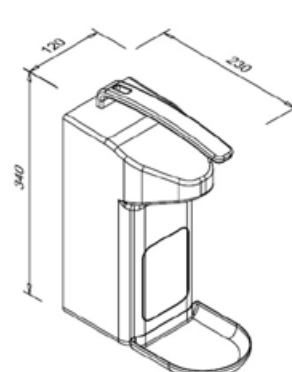
Weight **0,51 kg**

**Elbow-operated dispenser for disinfectant liquids, liquid soap, and lotions 1 l**

Color/ Product code

○ MED1000

Key lock closure  
Refill from canister  
2-year „door-to-door“ warranty



Material **Plastic ABS**

Capacity **1000 ml**

Control **Soap level inspection window**

Dispensing method **Button  
Elbow-operated**

Weight **0,58 kg**

# POP COLLECTION

**Easy to maintain, durable and economical accessories for public spaces**

## Material:

- ABS plastic

## Available finishes:

- white-gray neutrality

## Products in the collection:

Liquid and foam soap dispensers of various capacities  
Elbow-operated dispensers  
Manual and automatic paper towel dispensers  
Toilet paper dispensers  
Napkin dispenser



**The products have a valid hygiene certificate issued by the National Institute of Public Health (PZH).**



# POP COLLECTION OVERVIEW

## Dispensers



White

**Foam soap dispenser 0,5 l POP**  
Page 46



White

**Liquid soap dispenser 0,5 l POP**  
Page 46



White

**Elbow-operated liquid soap dispenser 0,5 l POP**  
Page 46



White

**Foam soap dispenser 1 l POP**  
Page 47



White

**Liquid soap dispenser 1 l POP**  
Page 47



White

**Elbow-operated liquid soap dispenser 1 l POP**  
Page 47

## Towel dispensers



White

**Paper towel dispenser ZZ POP**  
Page 48



White

**Manual roll towel dispenser POP**  
Page 48



White

**Paper towel dispenser ZZ POP M**  
Page 48



White

**Roll towel dispenser POP**  
Page 49

# POP COLLECTION OVERVIEW

## Toilet paper holders



White

**Toilet paper dispenser POP S**  
Page 49



White

**Toilet paper dispenser POP M**  
Page 49

## Accessories



White

**Toilet paper in sheets  
dispenser POP**  
Page 50



White

**Manual napkin dispenser  
POP**  
Page 50




**The products have  
a valid hygiene  
certificate issued  
by the National Institute  
of Public Health (PZH).**

# POP COLLECTION

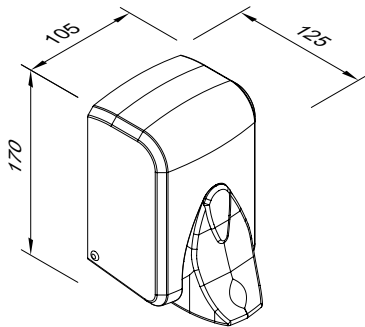
## PRODUCT SPECIFICATIONS



### Foam soap dispenser 0,5 l POP

Color/ Product code  
 SF500PGWG

Key lock closure  
 Refill from canister  
 2-year „door-to-door” warranty



Material **Plastic ABS**

Capacity **500ml**

Control **Soap level inspection window**

System **Drip-free valve**

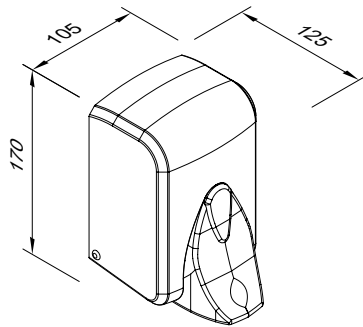
Button **Manual**

Weight **0,38 kg**

### Liquid soap dispenser 0,5 l POP

Color/ Product code  
 S500PGWG

Key lock closure  
 Refill from canister  
 2-year „door-to-door” warranty



Material **Plastic ABS**

Capacity **500ml**


Control **Soap level inspection window**

System **Drip-free valve**

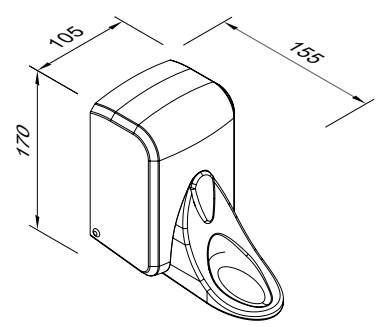
Button **Manual**

Weight **0,38 kg**

### Elbow-operated liquid soap dispenser 0,5 l POP

Color/ Product code  
 SA500PGWG

Key lock closure  
 Refill from canister  
 2-year „door-to-door” warranty



Material **Plastic ABS**

Capacity **500ml**

Control **Soap level inspection window**

System **Drip-free valve**


Button **Elbow-operated/Manual**

Weight **0,43 kg**

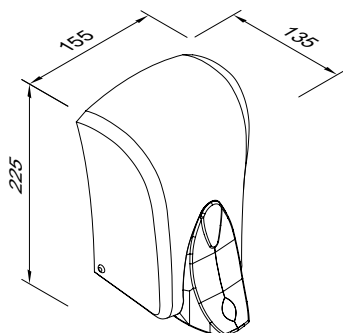


**Foam soap dispenser 1 | POP**

Color/ Product code

 SF1000PGWG

Key lock closure  
 Refill from canister  
 2-year „door-to-door” warranty



Material **Plastic ABS**

Capacity **1000 ml**

Control **Soap level inspection window**


System **Drip-free valve**

Button **Manual**

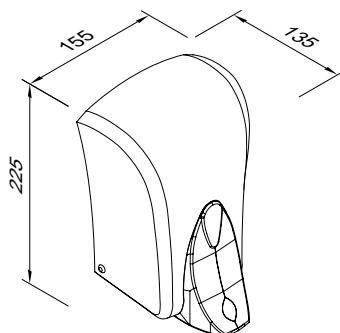
Weight **0,4 kg**

**Liquid soap dispenser 1 | POP**

Color/ Product code

 S1000PGWG

Key lock closure  
 Refill from canister  
 2-year „door-to-door” warranty



Material **Plastic ABS**

Capacity **1000 ml**

Control **Soap level inspection window**


System **Drip-free valve**

Button **Manual**

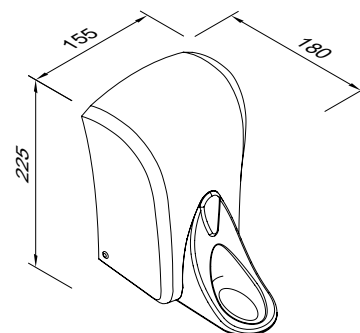
Weight **0,4 kg**

**Elbow-operated liquid soap dispenser 1 | POP**

Color/ Product code

 SA1000PGWG

Key lock closure  
 Refill from canister  
 2-year „door-to-door” warranty



Material **Plastic ABS**

Capacity **1000 ml**

Control **Soap level inspection window**

System **Drip-free valve**

Button **Elbow-operated/Manual**


Weight **0,616 kg**

# POP COLLECTION

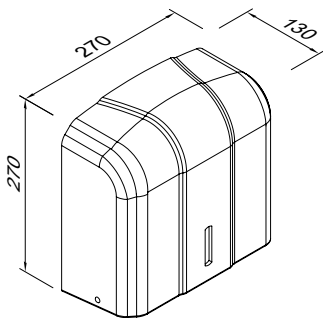


## Paper towel dispenser ZZ POP

Color/ Product code

 P400PGWG

Key lock closure  
2-year „door-to-door“ warranty



Material **Plastic ABS**

Capacity **400 sheets**


Control **Paper level inspection window**

Weight **0,7kg**

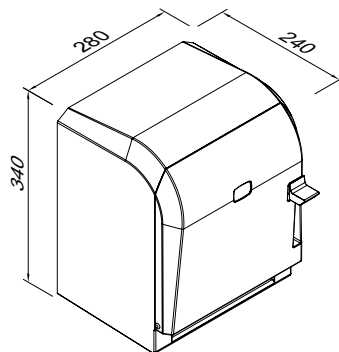


## Manual roll towel dispenser POP

Color/ Product code

 PM20PGWG

Key lock closure  
2-year „door-to-door“ warranty



Material **Plastic ABS**

Capacity **600 sheets**


Paper size **Roll width max 190-200 mm,  
Spindle 35 - 60 mm**

Weight **2,125 kg**

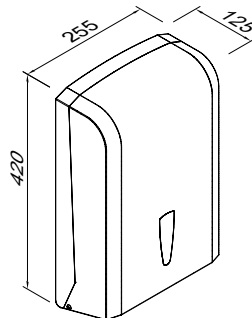


## Paper towel dispenser ZZ POP M

Color/ Product code

 P600PGWG

Key lock closure  
2-year „door-to-door“ warranty



Material **Plastic ABS**

Capacity **600 sheets**

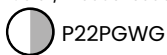
Control **Paper level inspection window**

Weight **0,9kg**

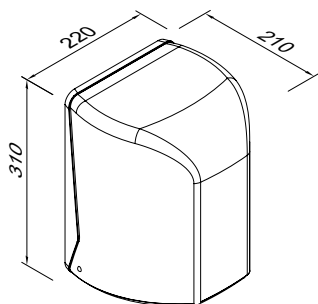


**Roll towel dispenser POP**

Color/ Product code



Key lock closure  
2-year „door-to-door“ warranty



Material **Plastic ABS**

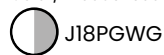
Paper size **Roll Ø20 cm,  
Width 21 cm**

Weight **0,95 kg**

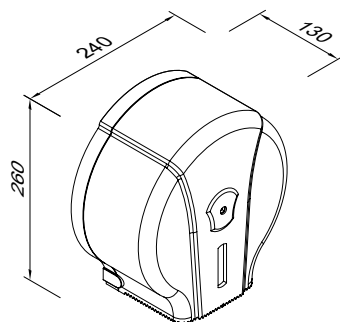


**Toilet paper dispenser POP S**

Color/ Product code



Key lock closure  
2-year „door-to-door“ warranty



Material **Plastic ABS**

Paper size **Roll Ø18 - 23 cm,  
Spindle 4,5/5,5 cm**

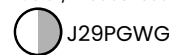
Control **Paper level inspection window**

Weight **0,6 kg**

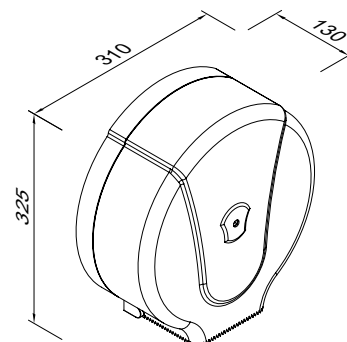


**Toilet paper dispenser POP M**

Color/ Product code



Key lock closure  
2-year „door-to-door“ warranty



Material **Plastic ABS**

Paper size **Roll Ø29 cm,  
Spindle 5,5 cm**


Weight **0,7 kg**

# POP COLLECTION

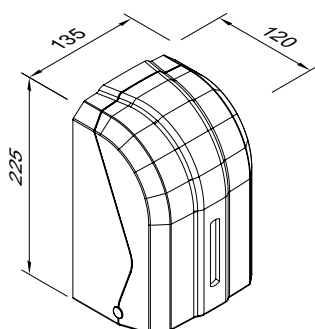


## Toilet paper in sheets dispenser POP

Color/ Product code

 TP400PGWG

Key lock closure  
2-year „door-to-door“ warranty



Material **Plastic ABS**


Capacity **400 sheets**

Control **Paper level inspection window**

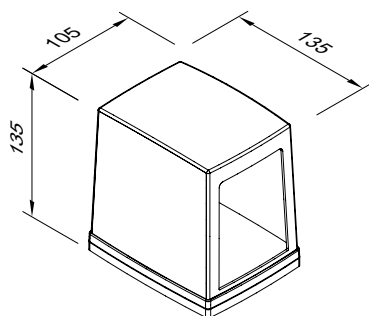
Weight **0,4kg**

## Manual napkin dispenser POP

Color/ Product code

 NP180PGWG

2-year „door-to-door“ warranty



Material **Plastic ABS**

Capacity **180 napkins**

Intended use **Countertop**

Weight **0,55kg**

# TOP COLLECTION

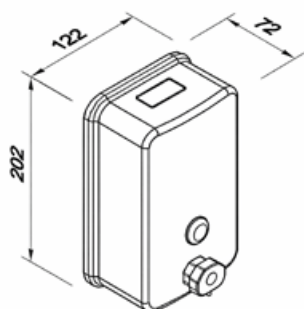


Liquid soap dispenser 500 ml TOP, black

Color/ Product code

● S1000SCBL

Lock: ABS key lock  
Refilling: canister  
2-year "door-to-door" warranty



Material **AISI 304 stainless steel**

Capacity **1000 ml**

System **Non-drip valve**

Dispensing **Push button**  
method

Weight **0.6 kg**

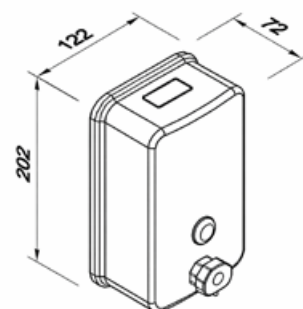


Liquid soap dispenser 500 ml TOP, matte steel

Color/ Product code

● S1000SCB

Lock: ABS key lock  
Refilling: canister  
2-year "door-to-door" warranty



Material **AISI 304 stainless steel**

Capacity **1000 ml**

System **Non-drip valve**

Dispensing **Push button**  
method

Weight **0.6 kg**



# BARRIER-FREE BATHROOM

## Bathroom accessories and equipment for people with mobility disabilities

### Handrails and handles

#### Material:

- Carbon steel
- Stainless steel

#### Available finishes:

- Black
  - White
  - Matt stainless steel
  - Polished stainless steel
- 

#### Products in the collection:

Straight grab bars  
Angled grab bars  
Fixed and tilting arched grab bars  
Wall and floor tilting grab bars  
Toilet paperholders for grab bars

### Shower seats

#### Material:

- Stainless steel
- Polipropylene

#### Available finishes:

- White
  - Matt stainless steel
  - Polished stainless steel
- 

#### Products in the collection:

Tilting shower seats with a load capacity of 100 to 120 kg

# GRAB BARS COLLECTION OVERVIEW



## Straight grab bar



Matt stainless steel

**Straight grab bar for people with disabilities**  
Page 59



Polished stainless steel

**Straight grab bar for people with disabilities**  
Page 59



Black

Matt stainless steel

Polished stainless steel

White

**Straight grab bar Stainless steel**  
Page 59

## Angled grab bars



Matt stainless steel



Polished stainless steel



White

**Angled grab bar symmetrical**  
Page 61



Black

**Angled grab bar 6/4**  
Page 60



White



Matt stainless steel

**Angled grab bar 7/5**  
Page 60



Polished stainless steel

**Fixed handrail, 3-point support**



White

**Angled grab bar 8/4**  
Page 60



Matt stainless steel

**Fixed curved grab bar**  
Page 63



Polished stainless steel



White

**Curved grab bars**



Black

**Curved grab bar**  
Page 62



Matt stainless steel



Polished stainless steel



White

# GRAB BARS COLLECTION OVERVIEW



## Foldable grab bars



Brushed stainless steel

### Foldable grab bars with a toilet paper holder

Page 65



Black



Matt stainless steel



Polished stainless steel



White

### Grab bar, stainless steel

Page 64

## Standing folding grab bars



White

### Standing foldable grab bars

Page 65



Matt stainless steel

### Standing foldable grab bar with a toilet paper holder

Page 65





# BARRIER-FREE BATHROOM

## PRODUCT SPECIFICATIONS



### STRAIGHT GRAB BARS



#### Grab bar for people with disabilities

2-year „door-to-door“ warranty

Material **Stainless steel 304 brushed**

Finish **Matt or polished**

Pipe diameter **Ø32**

Installation method **Wall-mounted**

Material **Carbon steel**

Finish **Epoxy paint**

Pipe diameter **Ø32**

Installation method **Wall-mounted**

#### Grab bar for people with disabilities, length 675mm, pipe diameter 25 mm

Maximum load 120 kg  
2-year „door-to-door“ warranty





Material **Stainless steel**

Finish **Polished**


Pipe diameter **Ø25**

Installation method **Wall-mounted**


### Grab bars with a height of 75 mm, Ø 32

Options / Color / Product code	 BLACK	 MATT STAINLESS STEEL	 POLISHED STAINLESS STEEL	 WHITE	
300 mm	<b>S32UP3SWC</b>	<b>S32UP3SNM</b>	<b>S32UP3SNP</b>	<b>S32UP3SWB</b>	Height 75 mm, length 375 mm, depth 102 mm
400 mm	<b>S32UP4SWC</b>	<b>S32UP4SNM</b>	<b>S32UP4SNP</b>	<b>S32UP4SWB</b>	Height 75 mm, length 475 mm, depth 102 mm
500 mm	<b>S32UP5SWC</b>	<b>S32UP5SNM</b>	<b>S32UP5SNP</b>	<b>S32UP5SWB</b>	Height 75 mm, length 575 mm, depth 102 mm
600 mm	<b>S32UP6SWC</b>	<b>S32UP6SNM</b>	<b>S32UP6SNP</b>	<b>S32UP6SWB</b>	Height 75 mm, length 675 mm, depth 102 mm

### Grab bars with a height of 80 mm, Ø 32

Options / Color / Product code	 MATT STAINLESS STEEL	
300 mm	<b>N15054.30.S</b>	Height 80 mm, length 380 mm, depth 70 mm
450 mm	<b>N15054.45.S</b>	Height 75 mm, length 530 mm, depth 70 mm
600 mm	<b>N15054.60.S</b>	Height 75 mm, length 680 mm, depth 70 mm

### Grab bars with a height of 75 mm, Ø 25

Options / Color / Product code	 MATT STAINLESS STEEL	
600 mm	<b>S25UP6SNP</b>	Height 75 mm, length 675 mm, depth 102 mm

# BARRIER-FREE BATHROOM

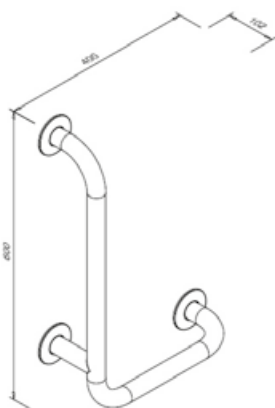
## PRODUCT SPECIFICATIONS

### Angled grab bars



#### Angled grab bar 6/4 90°

2-year „door-to-door” warranty



Material **Carbon steel**

Finish **Epoxy paint**

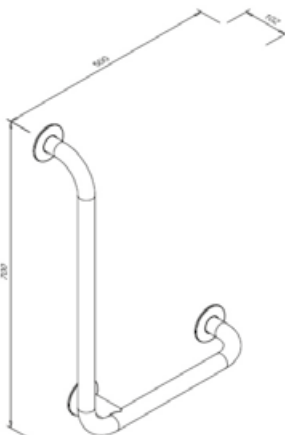
Pipe diameter **Ø32**

Installation method **Wall-mounted**

Dimensions **height 600 mm**  
**length 400 mm**  
**depth 102 mm**

#### Angled grab bar 7/5 90°

2-year „door-to-door” warranty



Material **Stainless steel 304**  
**brushed**

Finish **Matt or polished**

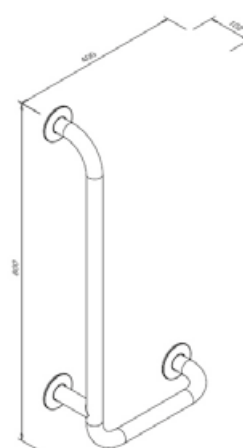
Pipe diameter **Ø32**

Installation method **Wall-mounted**

Dimensions **height 700 mm**  
**length 500 mm**  
**depth 102 mm**

#### Angled grab bar 8/4 90°

2-year „door-to-door” warranty








Material **Carbon steel**

Finish **Epoxy paint**

Pipe diameter **Ø32**

Installation method **Wall-mounted**

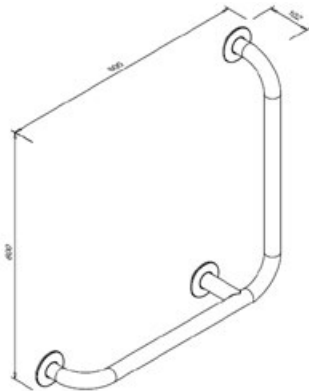
Dimensions **height 800 mm**  
**length 400 mm**  
**depth 102 mm**

Options / Color / Product code					
	WHITE	BLACK	MATT STAINLESS STEEL	POLISHED STAINLESS STEEL	WHITE
Left	<b>S32UKL64SWB</b>	<b>S32UKL64SWC</b>	<b>S32UKL75SNM</b>	<b>S32UKL75SNP</b>	<b>S32UKL84SWB</b>
Right	<b>S32UKP64SWB</b>	<b>S32UKP64SWC</b>	<b>S32UKP75SNM</b>	<b>S32UKP75SNP</b>	<b>S32UKP84SWB</b>



**Angled grab bar 90°, 130°**

2-year „door-to-door“ warranty



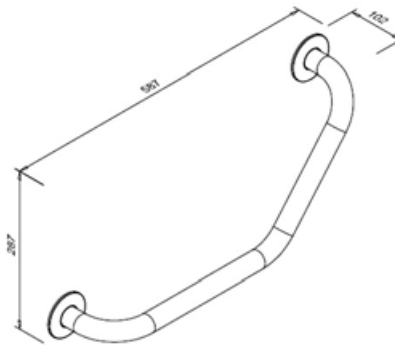
Material **Carbon steel**

Finish **Epoxy paint**

Pipe diameter **Ø32**

Position **Double-sided, left/right**

Installation method **Wall-mounted**






Material **Stainless steel 304 brushed**

Finish **Matt or polished**

Pipe diameter **Ø32**

Position **Double-sided, left/right**

Installation method **Wall-mounted**

Options / Color / Product code	 WHITE	 MATT STAINLESS STEEL	 POLISHED STAINLESS STEEL
90°	<b>S32UK6SWB</b>	<b>S32UK6SNM</b>	<b>S32UK6SNP</b>
130°	<b>S32UKS3SWB</b>	<b>S32UKS3SNM</b>	<b>S32UKS3SNP</b>

# BARRIER-FREE BATHROOM

## PRODUCT SPECIFICATIONS

### Curved grab bars



#### Fixed curved grab bar

2-year „door-to-door“ warranty

Material **Stainless steel 304 brushed**

Finish **Matt or polished**

Pipe diameter **Ø 32**

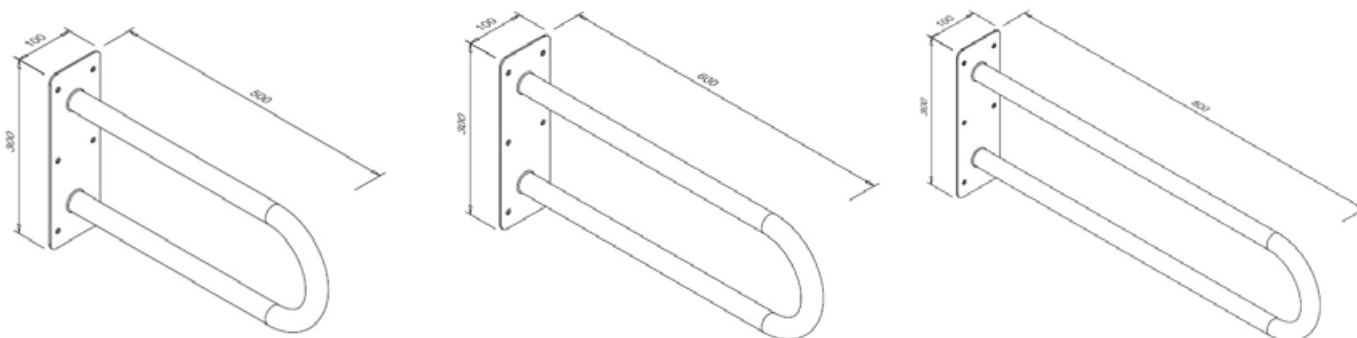
Installation method **Wall-mounted**





Material **Carbon steel**

Finish **Epoxy paint**

Pipe diameter **Ø 32**

Installation method **Wall-mounted**



Options / Color / Product code	 BLACK	 MATT STAINLESS STEEL	 POLISHED STAINLESS STEEL	 WHITE	
500 mm		<b>S32UU5SSNM</b>	<b>S32UU5SSNP</b>	<b>S32UU5SSWB</b>	Height 300 mm, length 500 mm, depth 100 mm
600 mm	<b>S32UU6SSWC</b>	<b>S32UU6SSNM</b>	<b>S32UP4SNP</b>	<b>S32UU6SSWB</b>	Height 300 mm, length 600 mm, depth 100 mm
800 mm		<b>S32UU8SSNM</b>	<b>S32UU8SSNP</b>		Height 300 mm, length 800 mm, depth 100 mm



**Fixed curved grab bar, 3 point support**

2-year „door-to-door“ warranty

Material **Stainless steel 304 brushed**

Finish **Matt or polished**

Pipe diameter **Ø32**

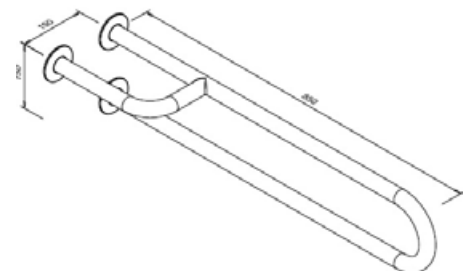
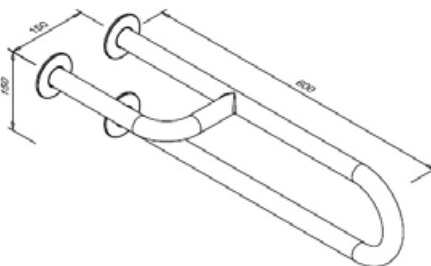
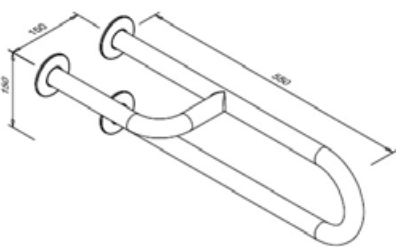
Installation method **Wall-mounted**




Material **Carbon steel**

Finish **Epoxy paint**

Pipe diameter **Ø32**

Installation method **Wall-mounted**



Options / Color / Product code					
		MATT STAINLESS STEEL	POLISHED STAINLESS STEEL	WHITE	
550 mm	Left Right	<b>S32UUL55SNM</b> <b>S32UUP55SNM</b>	<b>S32UUL55SNP</b> <b>S32UUP55SNP</b>		Height 150 mm, length 550 mm, depth 150 mm
600 mm	Left Right			<b>S32UUL6SWB</b> <b>S32UUP6SWB</b>	Height 150 mm, length 600 mm, depth 150 mm
850 mm	Left Right	<b>S32UUL85SNM</b> <b>S32UUP85SNM</b>			Height 150 mm, length 850 mm, depth 150 mm

# BARRIER-FREE BATHROOM

## PRODUCT SPECIFICATIONS



### Wall-mounted foldable grab bars



#### Foldable handrail for disabled 600 mm

2-year „door-to-door“ warranty

Material **Stainless steel 304 brushed**

Material **Carbon steel**

Finish **Matt or Glossy**

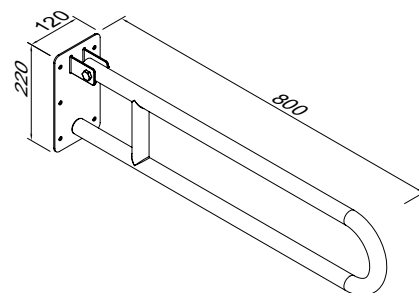
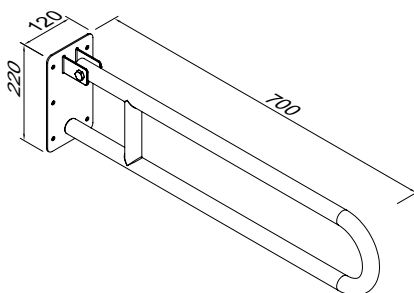
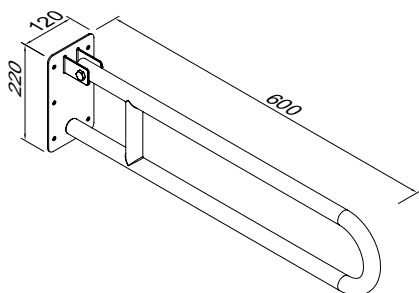
Finish **Epoxy paint**

Pipe diameter **Ø32**

Pipe diameter **Ø32**

Installation method **Wall-mounted**

Installation method **Wall-mounted**



Options / Color / Product code	● BLACK	● STAINLESS STEEL MATT	● POLISHED STAINLESS STEEL	○ WHITE	
600 mm	<b>S32UUWC6SWC</b>	<b>S32UUWC6SNM</b>	<b>S32UUWC6SNP</b>	<b>S32UUWC6SWB</b>	Height 220 mm, length 600 mm, depth 120 mm
700 mm				<b>S32UUWC7SWB</b>	Height 220 mm, length 700 mm, depth 120 mm
800 mm		<b>S32UUWC8SNM</b>		<b>S32UUWC8SWB</b>	Height 220 mm, length 800 mm, depth 120 mm



**Foldable grab bars with a toilet paper holder**

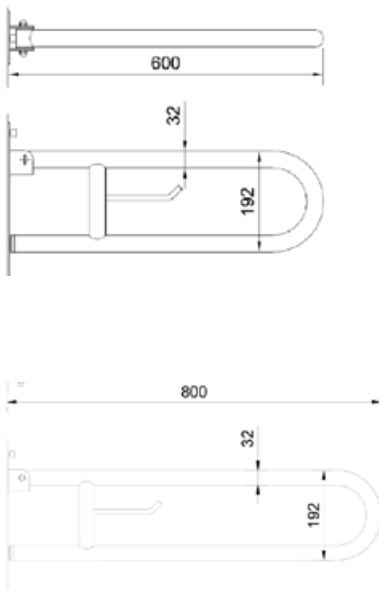
2-year „door-to-door“ warranty


Material **Stainless steel 304 brushed**

Finish **Matt**

Pipe diameter **Ø 32**

Installation method **Wall-mounted**



Length / Color / Product code	 STAINLESS STEEL MATT
600 mm	<b>N15051.60.S</b>
800 mm	<b>N15051.80.S</b>



**Standing folding grab bar**

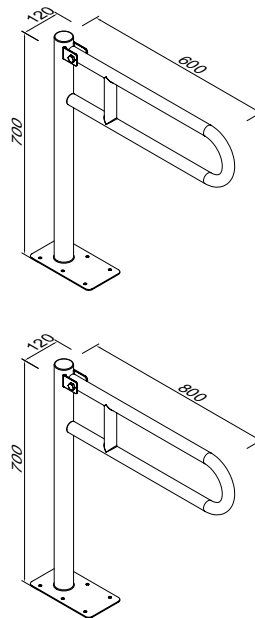
2-year „door-to-door“ warranty

Material **Carbon steel**

Finish **Epoxy paint**

Pipe diameter **Ø 32**

Installation method **Floor-mounted**



Length / Color / Product code	 WHITE
600 mm	<b>S32UUWCW67SWB</b>
700 mm	<b>S32UUWCW77SWB</b>



**Standing folding grab bar with a toilet paper holder**

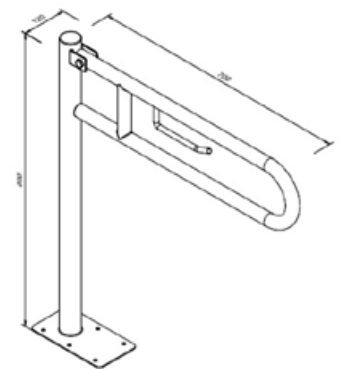
2-year „door-to-door“ warranty


Material **Stainless steel 304 brushed**

Finish **Matt**

Pipe diameter **Ø 32**

Installation method **Floor-mounted**



Length / Color / Product code	 STAINLESS STEEL MATT
700 mm	<b>S32UUWCW78PAPSNM</b>

# SHOWER SEATS

## COLLECTION OVERVIEW

### SHOWER SEATS



Stainless steel

**Folding shower seat**  
Page 67



Stainless steel with brackets



White

**Folding shower seat with a white platform**  
Page 67



White

**Folding shower seat**  
Page 68



White



Matt stainless steel

**Folding shower seat**  
Page 69



Matt stainless steel

# SHOWER SEATS

## PRODUCT SPECIFICATIONS



### Foldable shower seat

Color/ Product code


 N15041.S

2-year „door-to-door“ warranty



### Foldable shower seat with brackets

Color/ Product code


 N15046.S

2-year „door-to-door“ warranty

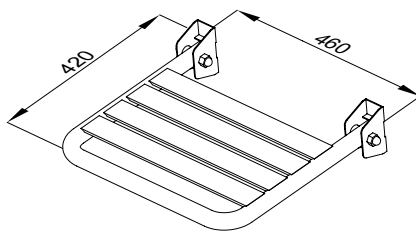


### Foldable shower seat with a white platform

Color/ Product code

 N15042.NBA

2-year „door-to-door“ warranty



Material **Stainless steel 304**

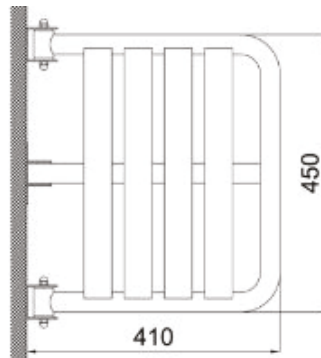
Finish **Matt or polished**

Pipe diameter **Ø25 mm**

Maximum load **100 kg**

Installation method **Wall-mounted**

Weight **2,4 kg**



Material **Stainless steel 304**

Finish **Matt or polished**

Pipe diameter **Ø32 mm**

Maximum load **110 kg**

Installation method **Wall-mounted**

Weight **2,9 kg**

Dimensions **Height 180**  
**Width 480**  
**Depth 400**

Material **Stainless steel, aluminium, polipropylen**

Finish **White Matt**

Pipe diameter **Ø20 mm**

Maximum load **120 kg**

Installation method **Wall-mounted**

Weight **5,2 kg**

# SHOWER SEATS

## PRODUCT SPECIFICATIONS

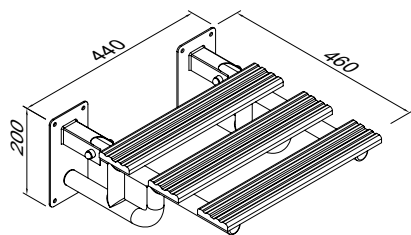


### Folding shower seat with brackets white steel

Color/ Product code

 S25KPUSWB

2-year „door-to-door” warranty



Material **Carbon steel**

Finish **Epoxy paint**

Pipe diameter **Ø32mm**

Maximum load **120 kg**


Installation method **Wall-mounted**

Weight **5,5 kg**

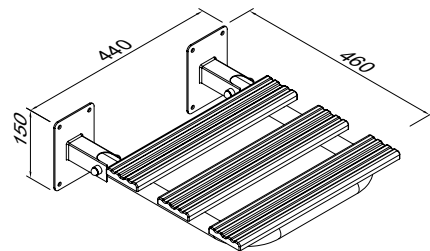


### Folding shower seat white steel

Color/ Product code

 S25KPU2SWB

2-year „door-to-door” warranty



Material **Carbon steel**

Finish **Epoxy paint**

Pipe diameter **Ø25mm**

Maximum load **120 kg**

Installation method **Wall-mounted**

Weight **4,4 kg**

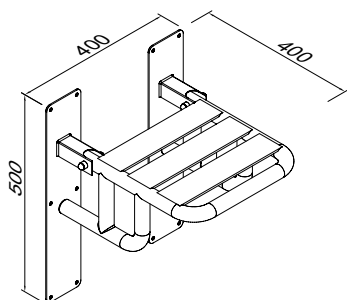


**Folding shower seat with brackets  
matt stainless steel**

Color/ Product code

● S25KPUSNM

2-year „door-to-door“ warranty



Material **Carbon steel**

Finish **Matt or polished**

Pipe diameter **Ø25mm**

Maximum load **120 kg**

Installation method **Wall-mounted**

Weight **5,5 kg**

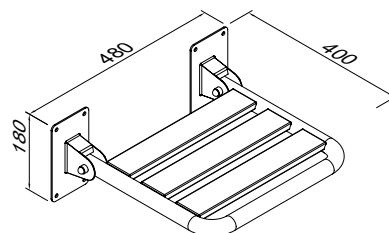


**Folding shower seat  
matt stainless steel**

Color/ Product code

● S25KPU2SNM

2-year „door-to-door“ warranty



Material **Carbon steel**

Finish **Matt or polished**

Pipe diameter **Ø25mm**

Maximum load **120 kg**

Installation method **Wall-mounted**

Weight **4,4 kg**

# ACCESSORIES

## PRODUCT SPECIFICATIONS



### Toilet paper holder for mounting on grab bars of a specific diameter 32 mm

Colors/ Product codes



2-year „door-to-door“ warranty

Material **Carbon steel (Black or White)**

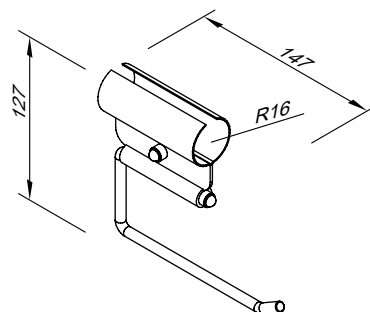
Finish **Epoxy paint (Black or White)**

Weight **0,2kg**

Material **Stainless steel 304**

Finish **Matt or polished**

Weight **0,2kg**



## SEE ALSO OTHER BARRIER-FREE BATHROOM PRODUCTS IN OUR COLLECTIONS



**Wall-mounted washbasin with tap hole for people with disabilities**  
matt stainless steel

Page 103



**WC bowl for people with disabilities**  
matt stainless steel

Page 100



**Wall-hung WC bowl for people with disabilities**  
matt stainless steel

Page 100



**Timed washbasin faucet with control lever**

Page 96



**Mirror for bathrooms for people with disabilities**

Page 85

# HAIR AND HAND DRYERS

## HAIR DRYERS

### Products in the collection:

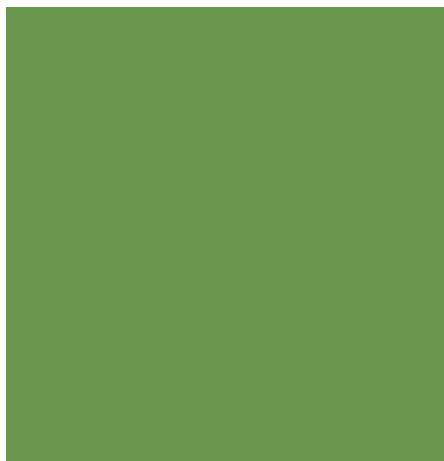
For hotel rooms  
For swimming pools  
Facilities, gyms, spa  
Faneco dryers  
Valera dryers

---

## HAND DRYERS

### Products in the collection:

Hand dryers with automatic and manual start  
Jet dryers  
Faneco hand dryers  
Dyson dryers with airblade technology  
Dyson dryers integrated with a tap



# Hotel hair dryer Tivano

## Refined in every detail

A compact dryer designed for hotel bathrooms and apartments. It ensures comfort of use thanks to its low noise level and negative ion technology, which reduces static electricity in the hair. Its modern graphite finish fits in well with contemporary interior designs.



### Hotel hair dryer 1500 W Tivano, graphite

Colors/ Product codes

 DH1500PRG

2-year "door-to-door" warranty

Maximum power **1500 W**

Material **Plastic ABS**

Activation **On/off switch**  
method

Installation **Wall mounting possible**  
**with holder DHH1500PRG**  
**(sold separately)**

Weight **570 g**


Application **Hotel bathrooms**

- Automatic overheating protection
- Negative ion technology, reducing static electricity
- Three heat settings
- Included: Magnetic air concentrator nozzle and storage pouch



### Wall bracket for TIVANO dryer

Colors/ Product codes

 DHH1500PRG

2-year "door-to-door" warranty

Method of installation **Wall-mounted (with adhesive or screws)**

# HAIR DRYERS

## PRODUCT SPECIFICATIONS



**Valera**  
SWISS HAIR SPECIALISTS

### Hotel hair dryer 1200 EXECUTIVE Valera

Color/ Product code

○ 55540002

Maximum power **1200 W**

Material **Plastic ABS**

Activation method: **Button**

Installation method **Wall-mounted**

Weight **1kg**

Intended use **Hotel bathrooms**

- **Automatic safety switch On / Off**
- **Made in Switzerland**
- **2-year „door-to-door“ warranty**



**Valera**  
SWISS HAIR SPECIALISTS

### Hotel hair dryer 1800 W ACTION SUPER PLUS Valera

Color/ Product code

● 55420079 ○ 55420080

Maximum power **1800 W**

Material **Plastic ABS**

Activation method: **Button**

Installation method **Wall-mounted**

Weight **0,6 kg**

Intended use **Hotel bathrooms**

- **Automatic overheating protection**
- **Three-stage temperature control**
- **2-year „door-to-door“ warranty**



**Valera**  
SWISS HAIR SPECIALISTS

### Hotel hair dryer 1600 W PREMIUM SMART SOCKET Valera

Color/ Product code

○ 55330194

Maximum power **1600 W**

Material **Plastic ABS**

Activation method: **Button**

Installation method **Wall-mounted**

Weight **0,77kg**

Intended use **Hotel bathrooms**

- **Automatic overheating protection**
- **Three-stage temperature control**
- **2-year „door-to-door“ warranty**



**Valera**  
SWISS HAIR SPECIALISTS

### Hotel hair dryer 1800 W EXCEL TF Black

Color/ Product code

● 55610176

Maximum power **1800 W**

Material **Plastic ABS**

Activation method: **Button**

Installation method **Wall-mounted**

Weight **0,354 kg**

Intended use **Hotel bathrooms**

- **Power cord - 190 cm**
- **Three-stage temperature control**
- **2-year „door-to-door“ warranty**



**Valera**  
SWISS HAIR SPECIALISTS

## Hotel hair dryer 1200 W HOTELLO Valera

Color/ Product code

58320120   
  58320123   
  58320110

Maximum power **1200 W**

Material **Plastic ABS**

Activation method: **Automatic**

Installation method **Wall-mounted**

Weight **1,5kg**

Intended use **Hotel rooms, low-traffic restrooms**

- Automatic timer switch
- Rotating nozzle end
- Electrical connection directly to mains or via plug
- 2-year „door-to-door“ warranty



**Valera**  
SWISS HAIR SPECIALISTS

## Hair dryer 1500 W Valera Heavy duty

Color/ Product code

58321100   
  58321101

Maximum power **1500 W**

Material **Plastic ABS**

Activation method: **Automatic**

Installation method **Wall-mounted**

Weight **1,32 kg**

Intended use **Hotel rooms, swimming pools, gyms**

- Automatic timer switch
- Rotating nozzle end
- Electrical connection directly to mains or via plug
- 2-year „door-to-door“ warranty



## Hair dryer 700 W ZEFIR

Color/ Product code

M32052TC

Maximum power **700 W**

Material **Plastic ABS**

Activation method: **Automatic**

Weight **1,2kg**

Intended use **Swimming pools, gyms**

- High efficiency, quiet operation, compact size
- High durability, user safety
- Automatic shut-off upon handle release
- 2-year „door-to-door“ warranty



## Replacement pipe for dryers ZEFIR

Color/ Product code

R.M32052TC

Material **Plastic ABS**

Length **50-150 cm**

- Easy replacement
- 2-year „door-to-door“ warranty



# HAND DRYERS

## COLLECTION OVERVIEW

### WALL-MOUNTED HAND DRYERS



White

**HALNY 1200W hand dryer**  
Page 78



Black



Silver

**Hand dryer 2300 W PONENTE**  
Page 78



Brushed stainless steel

**Hand dryer 1000 W LEVANTE**  
Page 79



Black



Black

**Hand dryer 1350 W PASSAT V**  
Page 79



Brushed stainless steel



White

**Hand dryer 1500 W MISTRAL PRO**  
Page 78



Black



Brushed stainless steel

**Hand dryer 1350 W PASSAT H**  
Page 789



Brushed stainless steel

**Hand dryer 2500 W SIROCCO**  
Page 80

**JET HAND DRYERS**



Black



Silver



White



Brushed stainless steel

**Hand dryer 1900 W MONSUN**  
Page 80

**Hand dryer 1900 W ORKAN**  
Page 80

**DYSON HAND DRYERS**



dyson

White



dyson

Brushed stainless steel

**Hand dryer 1000 W DYSON Airblade V White, Nickel-plated**  
Page 82



dyson

Brushed stainless steel

**Hand dryer 900 W DYSON Airblade With filter HEPA**  
Page 82



dyson

Brushed stainless steel

**Hand dryer 900 W DYSON Airblade**  
Page 81



dyson

Brushed stainless steel

**Hand dryer 900 W DYSON Airblade**  
Page 81



dyson

Brushed stainless steel

**Hand dryer 900 W DYSON Airblade**  
Page 81

# HAND DRYERS

## PRODUCT SPECIFICATIONS



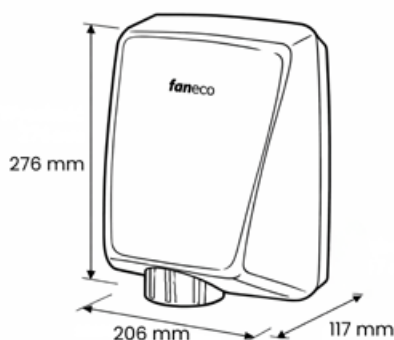
### Hand dryer 1200 W HALNY

Color/ Product code

○ D1200PRW

● D1200PRB

2-year „door-to-door” warranty



Material **Plastic ABS**

Maximum power **1200 W**

Activation method: **Automatic (infrared sensor)**

Noise level **70 dB**

Drying temperature **45–50°C**

Drying time **10–12 s**

Weight **1,8 kg**

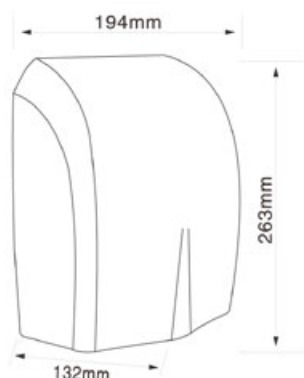
### Hand dryer 1500 W MISTRAL PRO

Color/ Product code

○ D1500PRW

● D1500PRB

2-year „door-to-door” warranty



Material **Plastic ABS**

Maximum power **1500 W**

Activation method: **Automatic**

Noise level **72 dB**

Drying temperature **45–50°C**

Drying time **10–12 s**

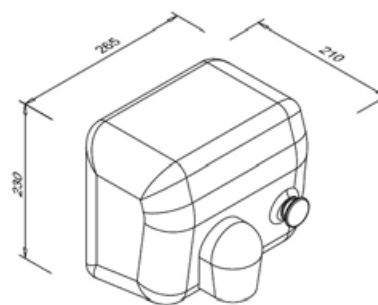
Weight **1,4 kg**

### Hand dryer 2300 W PONENTE

Color/ Product code

● D2300PFG

2-year „door-to-door” warranty



Material **Plastic ABS**

Maximum power **2300 W**

Activation method **Automatic**

Noise level **70 dB**

Drying temperature **45–50°C**


Drying time **15–20 s**


Weight **3,25 kg**



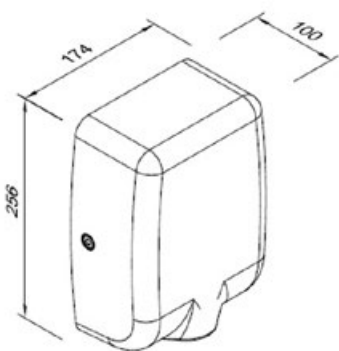
**Hand dryer 1000 W LEVANTE**

Color/ Product code

 D1000SCB

 D1000SCBB

2-year „door-to-door” warranty



Material **Stainless steel 304 brushed**

Maximum power **1000 W**

Activation method **Automatic**

Noise level **74 dB**

Drying temperature **35-45°C**


Drying time **10-12s**


Weight **2,5 kg**



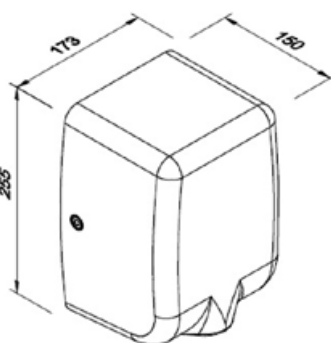
**Hand dryer 1350 W PASSAT V**

Color/ Product code

 D1350SCB

 D1350SCBB

2-year „door-to-door” warranty



Material **Stainless steel 304 brushed**

Maximum power **1350W**

Activation method **Automatic**

Noise level **70 dB**

Drying temperature **40°C**


Drying time **10-12s**

Weight **3 kg**

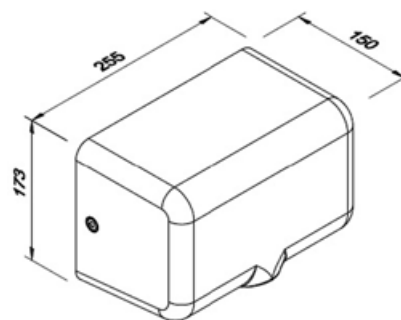


**Hand dryer 1350 W PASSAT H**

Color/ Product code

 D1350SCBH

2-year „door-to-door” warranty



Material **Stainless steel 304 brushed**

Maximum power **1350W**

Activation method **Automatic**

Noise level **70 dB**

Drying temperature **40°C**

Drying time **10-12s**

Weight **3 kg**

# HAND DRYERS

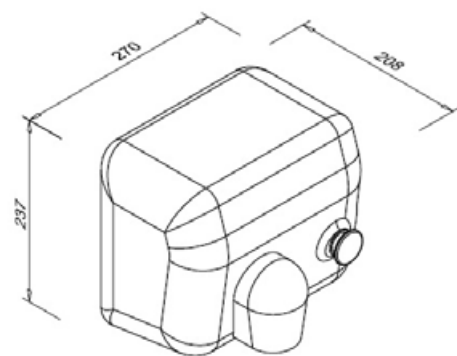
## PRODUCT SPECIFICATIONS



### Hand dryer 2500 W SIROCCO

Color/ Product code  
 DP2500SFB

2-year „door-to-door” warranty



Material **Stainless steel brushed**

Maximum power **2500 W**

Activation method **Button**

Noise level **70 dB**

Drying temperature **45 - 55 °C**

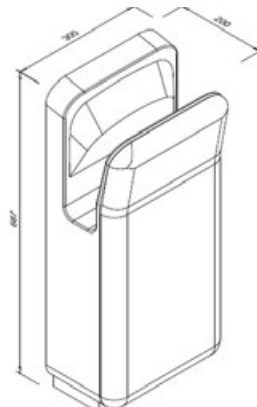
Drying time **15-20 s**

Weight **4,75 kg**

### Hand dryer 1900 W MONSUN

Color/ Product code  
 DA1900PQS  DA1900PQW  
 DA1900PQB

2-year „door-to-door” warranty



Material **Plastic ABS**

Maximum power **1900 W**

Activation method **Automatic  
- photocell**

Noise level **73 dB**

Drying temperature **40 °C**

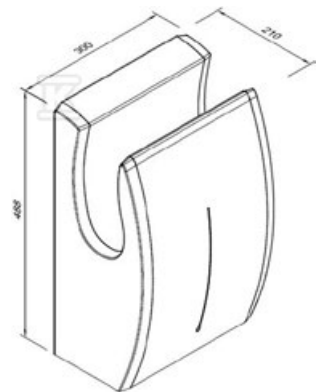
Drying time **7 - 10 s**

Weight **9 kg**

### Hand dryer 1900 W ORKAN

Color/ Product code  
 DA1900SQB

2-year „door-to-door” warranty



Material **Stainless steel brushed**

Maximum power **1900 W**

Activation method **Automatic  
- two photocells**

Noise level **73 dB**

Drying temperature **40 °C**

Drying time **7 - 9 s**

Weight **9 kg**

# DYSON HAND DRYERS

## PRODUCT SPECIFICATIONS



### Hand dryer Dyson Airblade WD04 Low With filter HEPA

**(INTEGRATED WITH FAUCET)**

5-year „door-to-door“ warranty

Color/ Product code

● WD04 SHORT

### Hand dryer Dyson Airblade WD05 High With filter HEPA

**(INTEGRATED WITH FAUCET)**

5-year „door-to-door“ warranty

Color/ Product code

● WD05 TALL

### Hand dryer Dyson Airblade WD06 Wall With filter HEPA

**(INTEGRATED WITH FAUCET)**

5-year „door-to-door“ warranty

Color/ Product code

● WD06 WALL

Material **Stainless steel brushed**

Maximum power **1000 W**

Activation method **Automatic**

Noise level **81 dB**

Drying temperature **40°C**

Drying time **14 s**

Weight **4,26 kg**

Material **Stainless steel brushed**

Maximum power **1000 W**

Activation method **Automatic**

Noise level **78 dB**

Drying temperature **40°C**

Drying time **14 s**

Weight **9 kg**

Material **Stainless steel brushed**

Maximum power **1000 W**

Activation method **Automatic  
- photocell**

Noise level **78 dB**

Drying temperature **35°C**

Drying time **7-10 s**

Weight **9 kg**



## Hand dryer 900 W DYSON Airblade 9kJ With filter HEPA

5-year „door-to-door“ warranty

Color/ Product code

● 9KJ

Material **Stainless steel brushed**

Maximum power **900 W**

Activation method **Automatic**

Noise level **79 dB**

Drying temperature **40°C**

Drying time **10–12 s**

Weight **4,5 kg**

## Hand dryer 1000 W DYSON Airblade V With filter HEPA

5-year „door-to-door“ warranty

Color/ Product code

○ HU02W

● HU02N

Material **Polycarbonate – ABS**

Maximum power **1000 W**

Activation method **Automatic  
– photocell**

Noise level **78 dB**

Drying temperature **35°C**

Drying time **7–10 s**

Weight **2,9 kg**

## Dyson Airblade

HAIR AND HAND DRYERS use advanced technology for fast and hygienic hand drying.

- **AIRBLADE TECHNOLOGY**  
An air stream of up to 690 km/h effectively „blows“ water off hands instead of evaporating it.
- **HYGIENE**  
Built-in HEPA filters remove up to 99.95% of bacteria and viruses from the drying air.
- **SPEED**  
Drying time is about 10–14 seconds – the fastest on the market
- **EFFICIENCY**  
Lower energy consumption than traditional HAIR AND HAND DRYERS
- **MODERN DESIGN**  
Available in various designs to fit any space.



WICJ

# MIRRORS

---

## Products in the collection:

Hotel mirrors  
Bathroom mirrors  
Mirrors with or without led backlighting  
Folding mirrors for people with disabilities  
Vandal-proof mirror for prisons



# MIRRORS

## COLLECTION OVERVIEW

### FOLDING MIRRORS



**Foldable mirror 700 x 500 mm  
matt stainless steel**  
Page 87



**Foldable mirror 800 x 600 mm  
matt stainless steel**  
Page 87



**Foldable mirror 580 x 600  
mm with handle, brass**  
Page 88



**Tilting mirror 600 x 600 mm  
with handle, black**  
Strona 88



**Foldable mirror for people  
with disabilities  
600 x 600 mm**  
Page 88



**Mirror for correctional  
facilities 700 x 500 mm**  
Page 88

# MIRRORS

## HOTEL MIRRORS



Chrome

**Mirror Iseo**  
Page 89



Black

**Mirror Como LED black**  
Page 89



Chrome

**Mirror Garda LED**  
Page 89



Chrome

**Mirror Como LED**  
Page 89

## BATHROOM MIRRORS



Copper

**Mirror bathroom wall-mounted Scandi LED 600 x 600 mm**  
Page 90



Black



Copper

**Mirror bathroom wall-mounted Scandi 600 x 600 mm**  
Page 90



Black

# MIRRORS

## PRODUCT SPECIFICATIONS



**Mirror folding 700 x 500 mm  
matt stainless steel**

Color/ Product code

● N08023S

2-year „door-to-door” warranty



**Mirror folding 800 x 600 mm  
matt stainless steel**

Color/ Product code

● N08024S

2-year „door-to-door” warranty

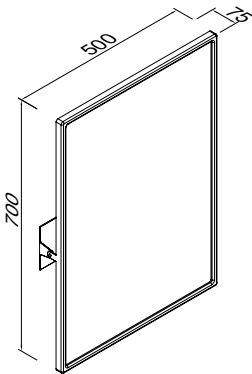


**Mirror folding 580 x 600 mm  
with handle, brass**

Color/ Product code

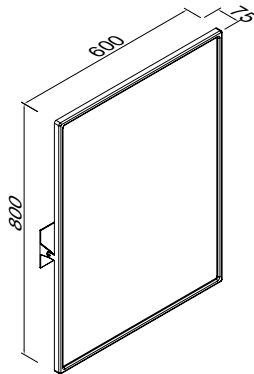
● N08025R

5-year „door-to-door” warranty



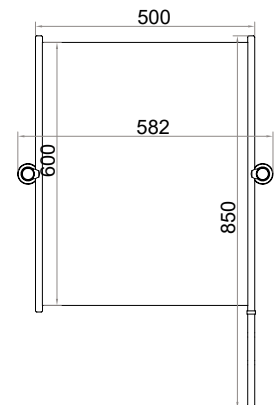
Material Frame:  
**Stainless steel AISI 304**  
Mirror:  
**Laminated glass**

Weight **3,2kg**



Material Frame:  
**Stainless steel AISI 304**  
Mirror:  
**Laminated glass**

Weight **7,2kg**



Material Frame:  
**Brass, ZnAl casting alloy**  
Mirror:  
**Glass 809CC and 830CC**

Weight **3,3kg**



**Foldable mirror for people with disabilities**  
**600 x 600 mm white steel**

Color/ Product code

○ S25LUSWB

10-year „door-to-door” warranty



**Mirror for correctional facilities**  
**700 x 500 mm polished stainless steel**

Color/ Product code

○ N08071

2-year „door-to-door” warranty  
**Vandal-resistant product**

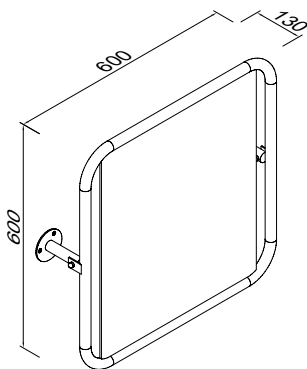


**Foldable mirror 600 x 600 mm with handle, black**

Color/ Product code

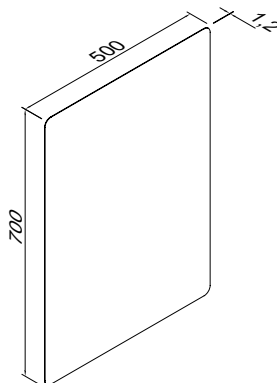
● S25LUSWCR

2-year “door-to-door” warranty



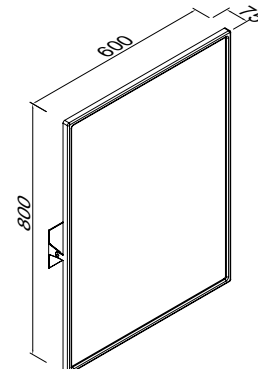
Material Frame: **Carbon steel**  
 Mirror: **Laminated glass**

Weight **7kg**



Material **Stainless steel**  
**304 polished**  
 Steel thickness **0,8 mm**

Weight **1,5kg**



Material Frame: **Carbon steel**  
 Mirror: **Laminated glass**

Weight **7kg**

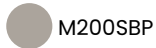
# MIRRORS

## PRODUCT SPECIFICATIONS

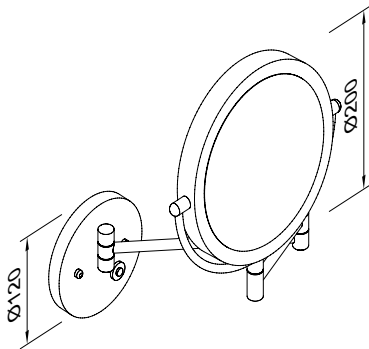


### Mirror Iseo

Color/ Product code



2-year „door-to-door” warranty



Mirror **Double-sided magnifying**  
**One-time or**  
**three-time magnification**

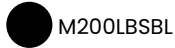
Material **Chrome-plated brass,**  
**Glass**

Frame finish **Polished**

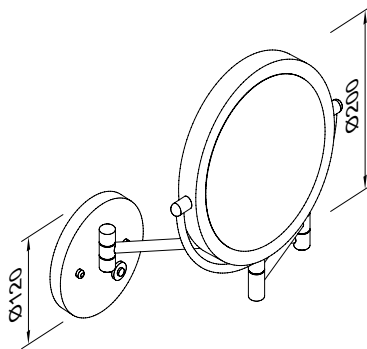


### Mirror Como LED Black

Color/ Product code



2-year „door-to-door” warranty



Mirror **Double-sided magnifying**  
**One-time or**  
**three-time magnification**

Material **Chrome-plated brass,**  
**Glass**

Frame finish **Matte black**

Lighting **Double-sided LED**

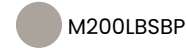
Activation **Touch switch**

Power supply **Batteries 4 x AAA**

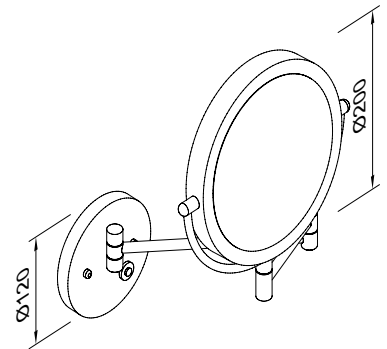


### Mirror Como LED chromed

Color/ Product code



2-year „door-to-door” warranty



Mirror **Double-sided magnifying**  
**One-time or**  
**three-time magnification**

Material **Chrome-plated brass,**  
**Glass**

Frame finish **Polished**

Lighting **Double-sided LED**


Activation **Touch switch**

Power supply **Batteries 4 x AAA**

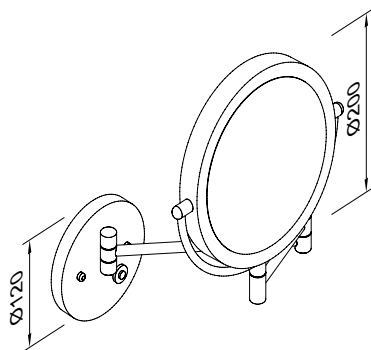


## Mirror Garda LED

Color/ Product code

 M200LVSBP

2-year „door-to-door“ warranty



Mirror **Double-sided magnifying**  
**One-time or**  
**three-time magnification**

Material **Chrome-plated brass,**  
**Glass**

Frame finish **Polished**

Lighting **Double-sided LED,**  
**three-stage**

Activation **Button**


Power supply **Mains**



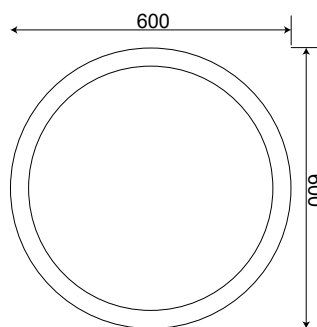
## Mirror bathroom wall-mounted Scandi LED 600 x 600 mm

Color/ Product code

 M60MLM

 M60MLB

Transportation warranty



Mirror **Mirror high gloss**

Material **Moisture-resistant MDF**

Frame finish **Matte lacquered MDF panel**  
**Copper / black color**

Lighting **Strip PREMIUM 60**  
**LED/m 10W/m IP20**

Activation **Button**

Power supply **Mains**

Safety features **Teflon and silicone**



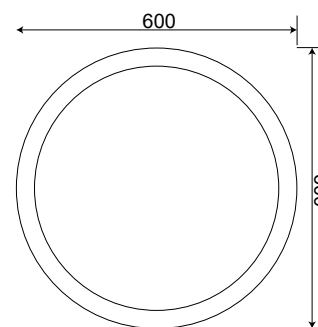
## Mirror bathroom wall-mounted Scandi 600 x 600 mm

Color/ Product code

 M60MM

 M60MBL

Transportation warranty



Mirror **Mirror high gloss**

Material **Moisture-resistant MDF**

Frame finish **Matte lacquered MDF panel**  
**Copper / black color**

Safety features **Teflon and silicone**

# PEDAL WASTE BINS

## Material:

- Stainless steel 430
- Inner container: ABS plastic

## Available finishes:

- White (power coated)
- Black (power coated)
- Polished stainless steel
- Matt stainless steel

---

## Products in the collection:

Pedal waste bins with capacities of 5 - 12 - 20 - 30 liters



## PEDAL WASTE BINS



Black



Matt stainless steel



Polished stainless steel



White

### Pedal waste bin

2-year „door-to-door“ warranty

#### Capacity 5 l

Dimensions:

Height 255 mm  
Diameter Ø 185 mm

#### Capacity 12 l

Dimensions:

Height 360 mm  
Diameter Ø 220 mm

#### Capacity 20 l

Dimensions:

Height 440 mm  
Diameter Ø 275 mm

#### Capacity 30 l

Dimensions:

Height 444 mm  
Diameter Ø 315 mm

### Available options

Options / Color / Product code	● BLACK	● STAINLESS STEEL MATT	● STAINLESS STEEL POLISHED	○ WHITE
5 l	<b>WBP5JBL</b>	<b>WBP5JS</b>	<b>WBE5MP</b>	<b>WBP5JSW</b>
12 l	<b>WBP12JBL</b>	<b>WBP12JS</b>	<b>WBE12JP</b>	<b>WBP12JSW</b>
20 l	<b>WBP20JBL</b>	<b>WBP20JS</b>	<b>WBE20JP</b>	<b>WBP20JSW</b>
30 l	<b>WB30JBL</b>	<b>WBP30JS</b>	<b>WBE30MP</b>	<b>WBP30JSW</b>

Material **Stainless steel 430**

Finish **Black, Matt stainless steel, Polished stainless steel, White**

Capacity **5l, 12l, 20l, 30l**

Opening / Closing **With pedal**

Equipment **Internal container made of ABS plastic**

**See also bins  
in collections:**

**HIT - p. 16 - 18**

**LUNA - p. 37**

**Built-in - p. 116**

# WATERLESS URINAL

**URIMAT - ecological and economical urinals for public places**

**Material:**

- Polycarbonate

**Available finishes:**

- White

**Products in the collection:**

Waterless urinals  
Accessories  
Consumables



# WATERLESS URINAL

## PRODUCT SPECIFICATIONS



**URIMAT**  
Swiss quality - since 1998.



**URIMAT**  
Swiss quality - since 1998.



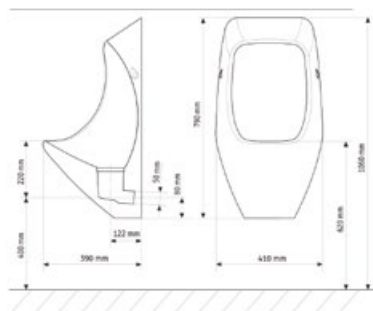
**URIMAT**  
Swiss quality - since 1998.

### Waterless urinal URIMAT eco

Color/ Product code

○ 15001

2-year „door-to-door“ warranty



Material **Polycarbonate 5mm**

Drain diameter **Ø 50 mm**

Installation method **Concealed**

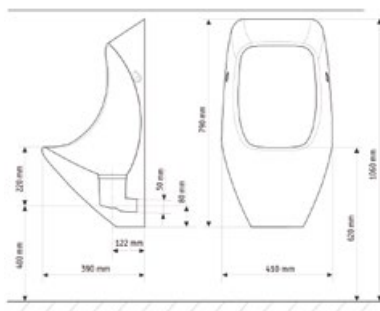
Weight **4,4 kg**

### Waterless urinal URIMAT ecoplus

Color/ Product code

○ 16001

2-year „door-to-door“ warranty



Material **Polycarbonate 5mm**

Drain diameter **Ø 50 mm**

Installation method **Concealed**

Weight **4,4 kg**

### MB-Active siphon for URIMAT urinals

Color/ Product code

● 52102



Material **Made of 50% recycled material**

Lifespan **6 000 - 8 000 uses**

**See also:**

- **Vandal-resistant urinal - p. 109**

- **Hygiene products for urinal - p. 119**

# BATHROOM FITTINGS

Articles for intensive use in public facilities

## Material:

- Chrome plated brass

## Available finishes:

- Silver, gloss

---

## Products in the collection:

Wall and washbasin timer faucets  
Faucet with control lever  
Urinal valves  
Shower heads  
Water mixer



# BATHROOM FITTINGS

## COLLECTION OVERVIEW



**Wall-mounted touchless tap with infrared sensor**  
Page 97



**Wall-mounted touchless tap with infrared sensor**  
Page 97



**Urinal valve**  
Page 99



**Timed shower faucet**  
Page 100



**Standing timed faucets**  
Page 98



**Standing timed faucets**  
Page 99



**Timed faucet**  
Page 97



**Timed faucet with lever**  
Page 98



**Vandal-resistant shower heads**  
Page 100



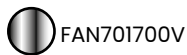
# BATHROOM FITTINGS

## PRODUCT SPECIFICATIONS



### Wall-mounted touchless tap with infrared sensor

Color/ Product code



2-year „door-to-door“ warranty

### Wall-mounted touchless tap with infrared sensor

Color/ Product code



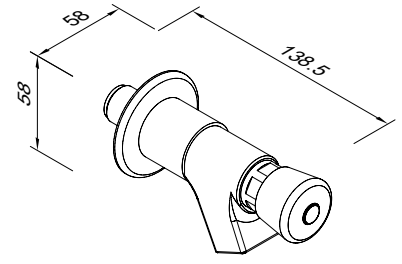
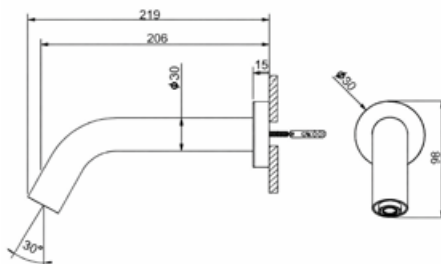
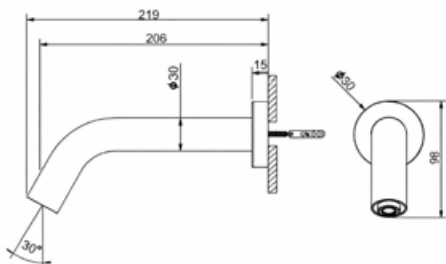
2-year „door-to-door“ warranty

### Wall-mounted timed washbasin faucet

Color/ Product code



2-year „door-to-door“ warranty



Material **Chrome-plated brass**

Application **Cold or premixed water supply**

Activation **Infrared sensor**

Power supply **6V 1000 mA adapter**

Inlet connection **G1/2"**

Flow time **5 s (preset)**

Flow limiter **max. 6 l/min**

Net weight **1,2kg**

Material **Chrome-plated brass**

Application **Cold or premixed water supply**

Activation **Infrared sensor**

Power supply **1.5V batteries**

Inlet connection **G1/2"**

Flow time **5 s (preset)**

Flow limiter **max. 6 l/min**

Net weight **1,2kg**

Material **Chrome-plated brass**

Intended use **For cold or mixed water**

Activation method: **Button**

Connection **1/2"**

Water pressure **8-12s**  
regulation

Water pressure **to 6 l/min**  
reduction

Weight **0,5kg**

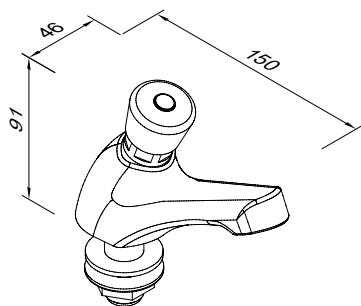


**Standing timed washbasin faucet**

Color/ Product code



2-year „door-to-door“ warranty



Material **Chrome-plated brass**

Intended use **For cold or mixed water**

Activation method: **Button**

Connection **1/2"**

Water pressure **0-12s**  
regulation

Water pressure **to 6l/min**  
reduction

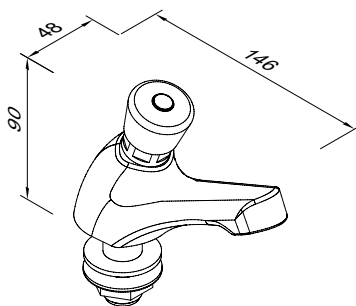
Weight **0,76 kg**

**Standing timed washbasin faucet**

Color/ Product code



2-year „door-to-door“ warranty



Material **Chrome-plated brass**

Intended use **For cold or mixed water**

Activation method: **Button**

Connection **1/2"**

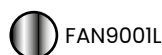
Water pressure **0-25 s**  
regulation

Water pressure **to 6l/min**  
reduction

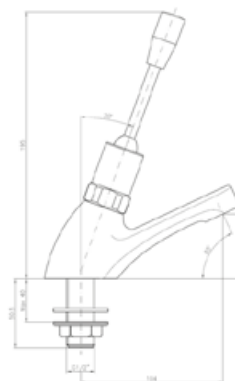
Weight **0,68 kg**

**Timed washbasin faucet with control lever**

Color/ Product code



2-year „door-to-door“ warranty



Material **Chrome-plated brass**

Intended use **For cold or mixed water**

Activation method: **With lever**

Connection **1/2"**

Water pressure **8-12s**  
regulation

Water pressure **to 6l/min**  
reduction

Weight **0,83 kg**

# BATHROOM FITTINGS

## PRODUCT SPECIFICATIONS

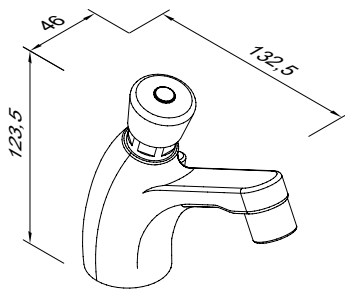


### Timed washbasin faucet with manual mixer

Color/ Product code



2-year „door-to-door“ warranty



Material **Chrome-plated brass**

Intended use **For cold or mixed water**

Activation method: **Button**

Connection **1/2"**

Water pressure **8-12 s**  
regulation

Water pressure **to 6l/min**  
reduction

Weight **1,27kg**

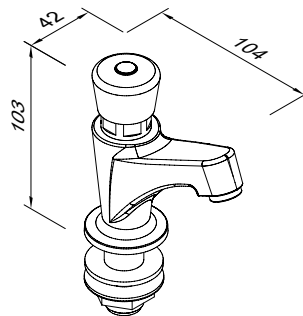


### Standing timed washbasin faucet

Color/ Product code



2-year „door-to-door“ warranty



Material **Chrome-plated brass**

Intended use **For cold or mixed water**

Activation method: **Button**

Connection **1/2"**

Water pressure **8-12 s**  
regulation

Water pressure **to 6l/min**  
reduction

Weight **0,46kg**

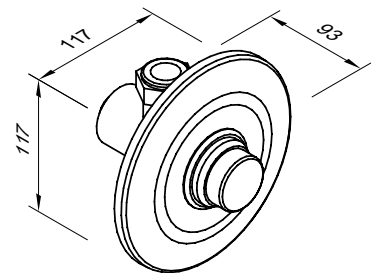


### Concealed timed urinal valve

Color/ Product code



2-year „door-to-door“ warranty



Material **Chrome-plated brass**

Intended use **For cold water**

Installation method **Concealed**

Activation method: **Button**

Connection **1,2"**

Weight **0,58kg**

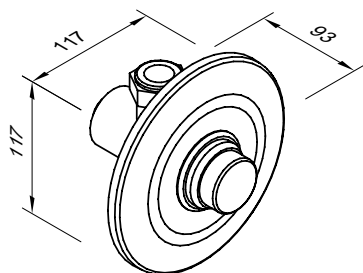


## Timed shower faucet

Color/ Product code



2-year „door-to-door” warranty



Material **Chrome-plated brass**

Intended use **For cold or mixed water**

Installation **Concealed**  
method

Activation **Button**  
method

Connection **1,2"**

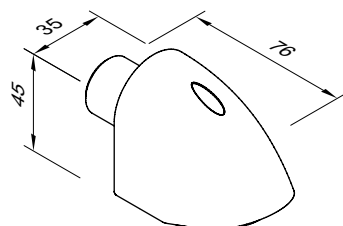
Weight **0,58kg**

## Vandal-resistant shower head Slim

Color/ Product code



2-year „door-to-door” warranty



Material **Chrome-plated brass**

Intended use **For cold or mixed water**

Connection **1,2"**

Spout angle **20°**

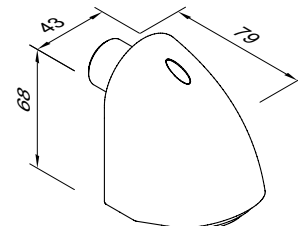
Weight **0,45kg**

## Vandal-resistant showerhead with tilt adjustment

Color/ Product code



2-year „door-to-door” warranty



Material **Chrome-plated brass**

Intended use **For cold or mixed water**

Connection **1,2"**

Spout angle **10° - 30°**

Water flow time **15 - 25 s**  
regulation

Weight **0,46kg**

# CHANGING TABLES

## Baby changing stations in public bathrooms

### Material:

- Lightweight, durable polyethylene
- ABS Plastic
- Stainless steel

### Products in the collection:

Vertical and horizontal changing tables  
Wall-mounted and recessed changing tables  
Wall-mounted chair



# CHANGING TABLES

## COLLECTION OVERVIEW

### Baby Changing Tables



**Horizontal folding baby  
changing station PANDA**  
Page 103



**Vertical folding baby  
changing station PANDA**  
Page 103



**Horizontal folding baby  
changing station  
matt stainless steel**  
Page 103



**Horizontal folding baby  
changing station (recessed)  
matt stainless steel**  
Page 104



**Wall-mounted children's seat  
PANDA**  
Page 104

# BABY CHANGING TABLES

## PRODUCT SPECIFICATIONS

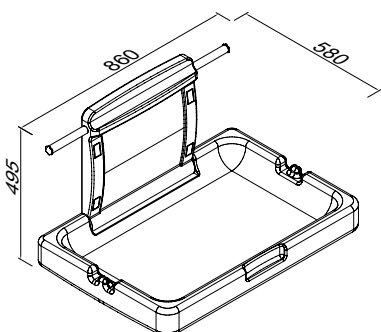


### Horizontal foldable baby changing station PANDA

Color/ Product code

● LBCTH

2-year „door-to-door” warranty  
Maximum load 30 kg



Material **Polyethylene**

Safety features **Adjustable nylon strap**

Installation method **Wall-mounted**

Position **Horizontal**

Weight **10 kg**

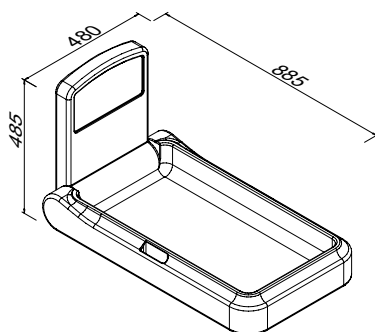


### Vertical foldable baby changing station PANDA

Color/ Product code

○ FBCTV

2-year „door-to-door” warranty  
Maximum load 15 kg



Material **Plastic ABS**

Safety features **Adjustable nylon strap**

Installation method **Wall-mounted**

Position **Vertical**

Weight **20 kg**

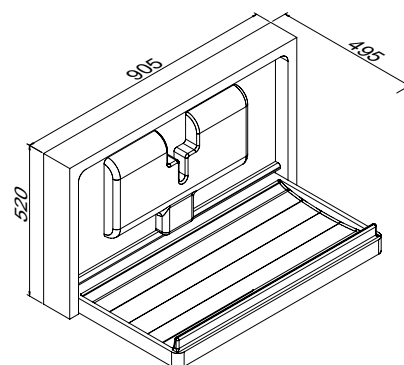


### Horizontal foldable baby changing station matt stainless steel

Color/ Product code

● FBCTXSH

2-year „door-to-door” warranty  
Maximum load 45 kg



Material **Polyethylene (interior)**  
**Stainless steel 304 brushed (cover)**

Finish **Matt**

Safety features **Adjustable nylon strap**

Installation method **Wall-mounted, natynkowe**

Position **Horizontal**

Weight **20 kg**

## BABY CHANGING TABLES

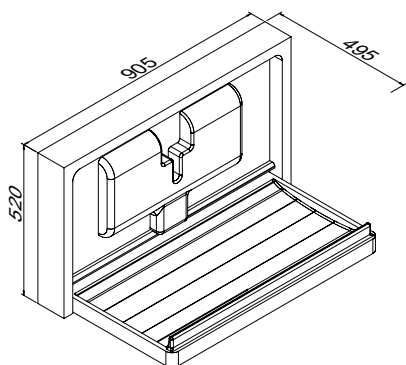


### Horizontal folding baby changing station (recessed) matt stainless steel

Color/ Product code

 FBCTXIH

2-year „door-to-door” warranty  
Maximum load 45 kg



Material **Polyethylene (interior)**  
**Stainless steel 304**  
**brushed (cover)**

Finish **Matt**

Safety features **Adjustable nylon strap**

Installation method **Wall-mounted, podtynkowe**

Position **Horizontal**

Weight **20 kg**



### Wall-mounted children's seat PANDA

Color/ Product code

 LBCCV

2-year „door-to-door” warranty  
Maximum load 25 kg

Material **Polyethylene**

Safety features **Adjustable nylon strap**

Installation method **Wall-mounted**

Position **Vertical**

Weight **2,7 kg**



# STAINLESS STEEL SANITARY PRODUCTS

**Industrial design. Vandal-resistant quality.**

## **Material:**

- Stainless steel 304 brushed
- Stainless steel 304 polished

## **Products in the collection:**

Washbasins  
WC bowls  
Urinals  
Flush buttons  
Concealed frames  
Accessories



# STAINLESS STEEL SANITARY PRODUCTS

## COLLECTION OVERVIEW

### Stainless steel washbasins



**Round washbasin with tap hole**  
Page 111



**Wall-mounted washbasin with tap hole**  
Page 112



**Washbasin with siphon cover**  
Page 112



**Wall-mounted washbasin with tap hole for people with disabilities**  
Page 112

### Urinal



**Wall-mounted urinal**  
Page 109

### WC bowls



**Turkish squat toilet matt stainless steel**  
Page 111



**WC bowl for people with disabilities matt stainless steel**  
Page 109



**Standing compact WC matt stainless steel**  
Page 109

# STAINLESS STEEL SANITARY PRODUCTS



Matt stainless steel



Black

**Wall-hung WC bowl stainless steel**  
Page 110



**Standing WC bowl  
matt stainless steel**  
Page 110



**Standing compact WC  
matt stainless steel**  
Page 110

## Concealed frames



**Washbasin frame**  
Page 114



**Urinal frame**  
Page 114



**WC bowl frame**  
Page 114

## Flush button



**Vandal-resistant flush button SLIM**  
Page 113

## Accessories



Black



White

**ABS toilet seat**  
Page 113



**Mirror for  
correctional facilities**  
Page 113



**Vandal-resistant hook  
for correctional facilities**  
Page 111

# STAINLESS STEEL SANITARY PRODUCTS

## PRODUCT SPECIFICATIONS

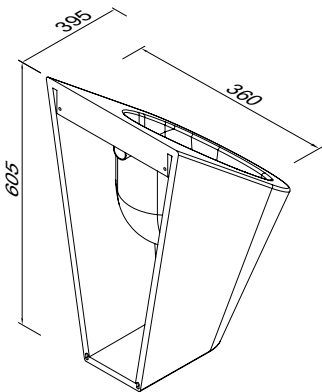


**Wall-mounted urinal**  
**Stainless steel**

Color/ Product code

● N13004

2-year „door-to-door“ warranty  
**Vandal-resistant product**



Material **Stainless steel 304**  
**brushed**

Finish **Matt, Glossy**

Drain diameter **Ø55 mm**

Weight **7,3 kg**

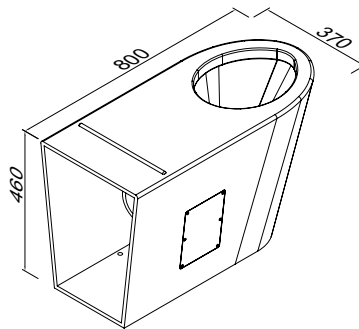


**WC bowl for people with disabilities**  
**Matt stainless steel**

Color/ Product code

● URT207

2-year „door-to-door“ warranty  
**Vandal-resistant product**



Material **Stainless steel 304**  
**brushed**

Finish **Matt**

Drain diameter **Ø104 mm**

Weight **19 kg**

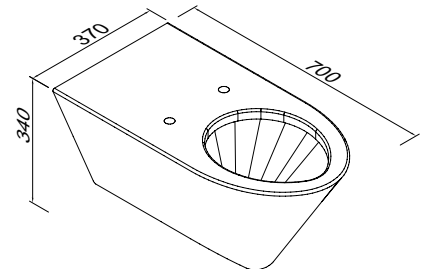


**Wall-mounted WC bowl**  
**for people with disabilities**

Color/ Product code

● L650754

2-year „door-to-door“ warranty  
**Vandal-resistant product**



Material **Stainless steel 304**  
**brushed**

Finish **Matt**

Drain diameter **Ø100 mm**

Weight **15,65 kg**

# STAINLESS STEEL SANITARY PRODUCTS



## Wall-mounted WC bowl matt stainless steel

Color/ Product code

● N13018

● N13018BL

2-year „door-to-door“ warranty  
**Vandal-resistant product**

## Standing WC bowl matt stainless steel

Color/ Product code

● N13012

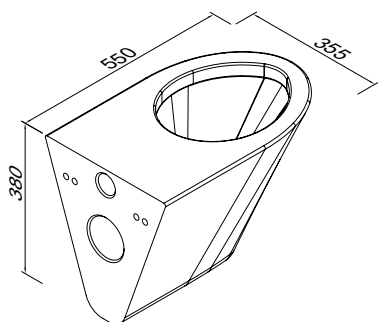
2-year „door-to-door“ warranty  
**Vandal-resistant product**

## Standing compact WC matt stainless steel

Color/ Product code

● UR2A

2-year „door-to-door“ warranty  
**Vandal-resistant product**  
Toilet seat not included

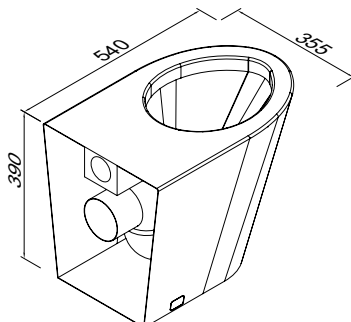


Material **Stainless steel 304**  
**brushed**

Finish **Matt**

Drain diameter **Ø104 mm**

Weight **11,4 kg**

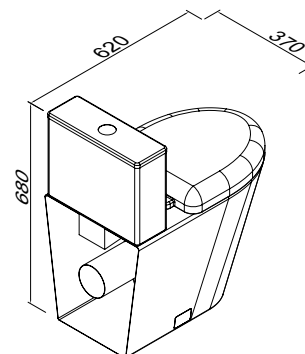


Material **Stainless steel 304**  
**brushed**

Finish **Matt**

Drain diameter **Ø100 mm**

Weight **15 kg**



Material **Stainless steel 304**  
**brushed**

Finish **Matt**

Drain diameter **Ø100 mm**

Weight **20,1 kg**

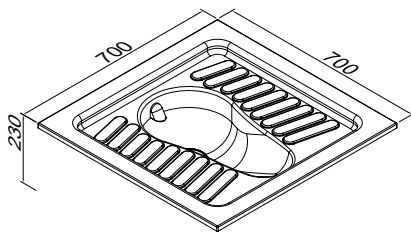


**Turkish squat toilet**  
**Matt stainless steel**

Color/ Product code

● UR6

2-year „door-to-door” warranty  
**Vandal-resistant product**



Material **Stainless steel 304**  
**brushed**

Finish **Matt**

Drain diameter **Ø100mm**

Weight **6 kg**

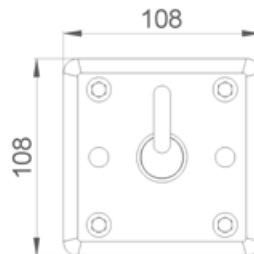


**Vandal-resistant hook**  
**for correctional facilities**

Color/ Product code

● NHDTX693RS

2-year „door-to-door” warranty  
**Vandal-resistant product**



Material **Stainless steel 304**  
**brushed**

Finish **Matt**

Max load capacity **6 kg**

Weight **0,5kg**

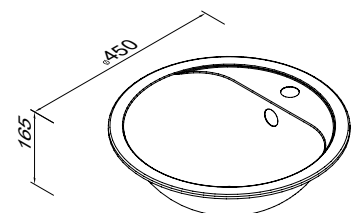


**Round washbasin with faucet hole**

Color/ Product code

● WB55

2-year „door-to-door” warranty  
**Vandal-resistant product**



Material **Stainless steel 304**

Finish **Matt**

Steel thickness **0,8 mm**

Installation method **Built-in countertop**

Weight **1,5kg**

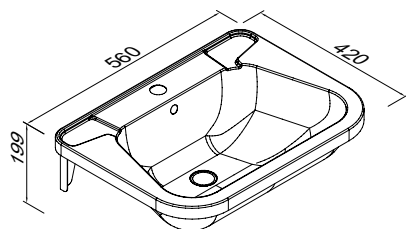


**Wall-mounted washbasin with faucet hole**

Color/ Product code

● IRS72

2-year „door-to-door” warranty



Material **Stainless steel 304  
brushed**

Finish **Matt**

Steel thickness **0,9mm**

Installation method **Wall-mounted**

Weight **3kg**

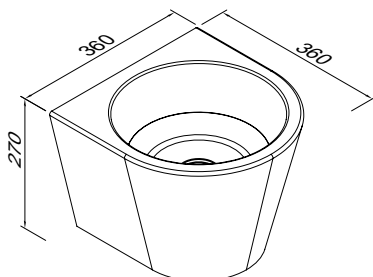


**Washbasin with siphon cover**

Color/ Product code

● N13036CS

2-year „door-to-door” warranty  
**Vandal-resistant product**



Material **Stainless steel 304  
brushed**

Finish **Matt**

Steel thickness **1,2mm**

Installation method **Wall-mounted, concealed**

Weight **6kg**

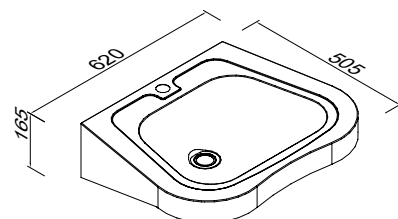


**Wall-mounted washbasin with faucet hole  
for people with disabilities**

Color/ Product code

● SE121440

2-year „door-to-door” warranty  
**Vandal-resistant product**



Material **Stainless steel 304  
brushed**

Finish **Matt**

Steel thickness **1,2mm**

Installation method **Wall-mounted**

Weight **4,6kg**



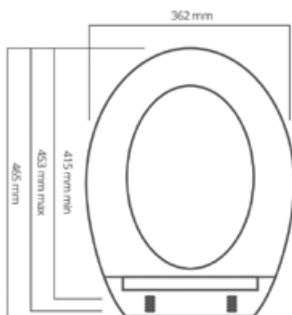
**ABS toilet seat**

Color/ Product code

● M13018BL

○ M13018WS

2-year „door-to-door“ warranty



Material **Polipropylen (seat),  
ABS plastic (hinge)**

Weight **0,7kg**

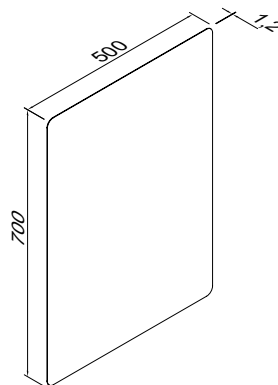


**Mirror folding for correctional  
facilities 700 x 500 mm**

Color/ Product code

○ N08071

2-year „door-to-door“ warranty  
**Vandal-resistant product**



Material **Stainless steel 304  
polished**

Finish **Glossy**

Steel thickness **0,8 mm**

Weight **1,5 kg**

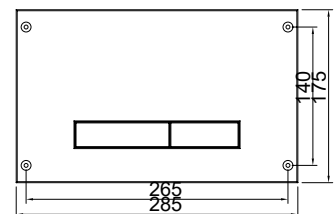


**Vandal-resistant flush button SLIM**

Color/ Product code

● KKM08SNM

2-year „door-to-door“ warranty  
**Vandal-resistant product**



Material **Stainless steel 304  
brushed**

Finish **Matt**

Installation method **Wall-mounted**

Weight **1,5 kg**

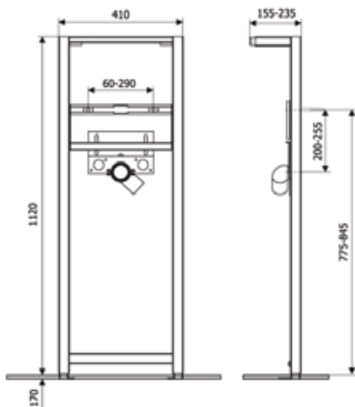


**Concealed washbasin frame with supports**

Product code

KKU705

2-year „door-to-door“ warranty



Material **Powder-coated steel**

Steel thickness **1,5 mm**

Installation method **Concealed**

Weight **9,7kg**

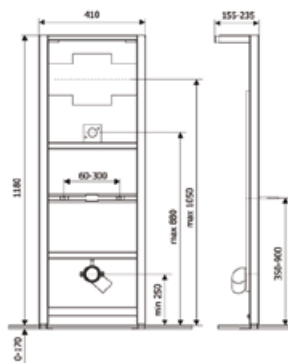


**Concealed urinal frame with supports**

Product code

KKP711

2-year „door-to-door“ warranty



Material **Powder-coated steel**

Steel thickness **1,5 mm**

Installation method **Concealed**

Weight **12,6 kg**

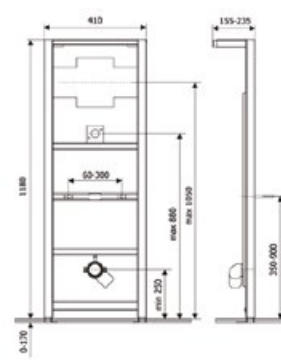


**Concealed WC bowl frame with supports**

Product code

KKWCM400

2-year „door-to-door“ warranty



Material **Powder-coated steel**

Steel thickness **1,5 mm**

Installation method **Concealed**

Weight **11,8 kg**

# BUILT-IN ACCESSORIES

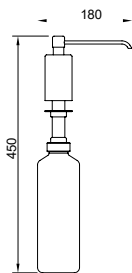


## Foam soap dispenser undercounter

Product code

DPF1000SJP

Refill from canister  
2-year „door-to-door“ warranty



Material **Stainless steel, ABS plastic, polyethylene**

Finish **Glossy**

Capacity **1l (1000 ml)**

Activation method: **Button**

Weight **0,75 kg**

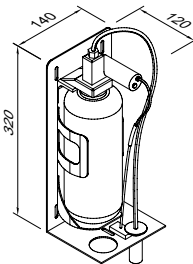


## Concealed (behind-mirror) automatic soap and disinfectant dispenser

Product code

SA1000BMJ

Refill from canister  
2-year „door-to-door“ warranty



Material **Stainless steel, ABS plastic, polyethylene**

Finish **Matt**

Capacity **1l (1000 ml)**

System **Drip-free valve**

Activation method: **Automatic**

Weight **1,52 kg**

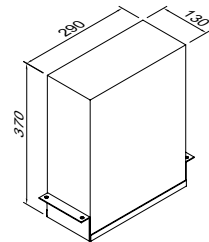


## Concealed (behind-mirror) towel dispenser ZZ

Color/ Product code

● PZ800SJB

2-year „door-to-door“ warranty



Material **Stainless steel 430 brushed**

Capacity **800 sheets**

Finish **Matt**

Control **Paper level inspection window**

Installation method **Concealed (behind-mirror)**

Weight **3 kg**

# BUILT-IN ACCESSORIES

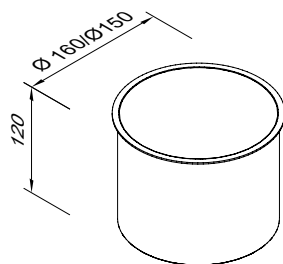


## Countertop collar for waste bin

Color/ Product code



2-year „door-to-door“ warranty



Material **Stainless steel 304 brushed**

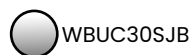
Finish **Matt**

Weight **0,47kg**

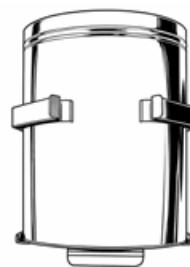


## Under-counter waste bin 30 L

Color/ Product code



2-year „door-to-door“ warranty



Material **Stainless steel**

Finish **Stainless steel**

Opening **Open top**

Capacity **30L**

Weight **4,2kg**

Dimensions **Height: 390 mm**  
**Width: 310 mm**  
**Depth: 310 mm**

# A discreet, aesthetic and durable solution.

Discreet, aesthetic, and durable. A container designed for modern public restrooms, offices, hotels, and public facilities. It provides hygienic and convenient access to personal hygiene products for women in an elegant steel casing.



## Tampon and sanitary pad dispenser

Color/ Product code

○ TPD15040SJB

2-year „door-to-door“ warranty

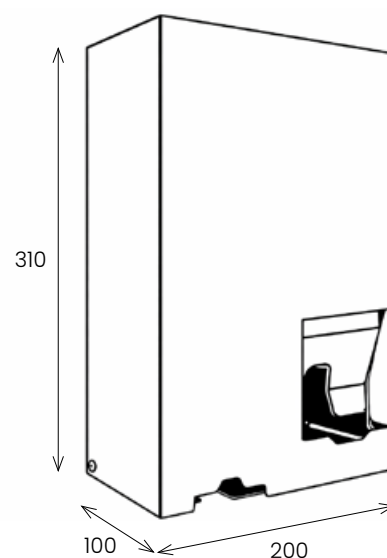
Lock **Metal lock and key**

Material **Stainless steel 304**

Finish **White**

Capacity **150 tampons,  
40 sanitary pads**

Weight **2,35 kg**



# CONSUMABLE ITEMS

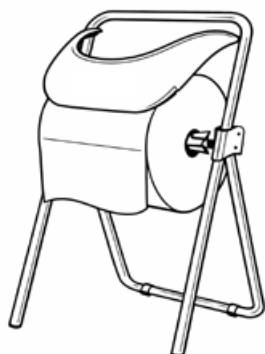


## Industrial wiping paper roll stand

Color/ Product code

● CPB0300T

2-year „door-to-door“ warranty



Material **Powder-coated galvanized steel + plastic**

Roll diameter **max 30 cm**

Dimensions **Height: 860 mm**  
**Width: 420 mm**  
**Depth: 500 mm**

Weight **1,85 kg**



## Industrial wiping paper roll holder

Color/ Product code

● CPB0300M

2-year „door-to-door“ warranty

Material **Powder-coated galvanized steel + plastic**

Roll diameter **max 30 cm**

Dimensions **Height: 330 mm**  
**Width: 420 mm**  
**Depth: 250 mm**

Weight **1,03 kg**

# CONSUMABLE ITEMS



**RPR19A2C19**

**Paper towel in a roll Faneco Premium 2 layers white cellulose 6 pcs**

- Sheet dimensions 19 × 20 cm



**PT18A2CM115**

**Toilet paper JUMBO 2 layers, Optimum 12 szt**

- Roll diameter: 18 cm  
- Roll width: 9 cm



**PT18A2C100**

**Toilet paper JUMBO Premium 2 layers, Optimum 12 szt**

- Roll diameter: 19 cm  
- Roll width: 9 cm



**ZZ4000A1M**

**ZZ paper towels Faneco Economic 1 layer 4000 pcs. gray recycled material**

- For ZZ-type dispensers



**ZZ3000A2C**

**Paper towels ZZ Faneco Premium 2 layers 3000 tissues, white cellulose**

- For ZZ-type dispensers



**US200323**

**Urinal screen Lemon**

- Works for up to 30 days



**US200322**

**Urinal screen Tropical**

- Works for up to 30 days



**LS5NS**

**BioHarmony Liquid Soap Unscented, colorless**

- 5 L



**LS5CR**

**BioHarmony Liquid Soap Creamy**

- 5 L



**LS5AL**

**BioHarmony Liquid Soap Aloe**

- 5 L



**80001**

**Sanitary cleaner URIMAT MB-ActiveCleaner 1L**

- Mixing ratio 1:20

## PRODUCT INDEX (ALPHABETICAL)

Main category	Subcategory	Page
<b>Accessible bathroom</b>	Tilt mirrors	p. 87 - 88
	Toilet bowls	p. 109
	Grab bars and handrails	p. 54 - 65
	Shower seats	p. 67 - 69
<b>Baby changing stations</b>		p. 103-104
<b>Bathroom fittings</b>	Timed faucets	p. 97-100
	Shower heads	p. 100
<b>Concealed frames (WC frames)</b>		p. 114
<b>Consumables</b>	For urinals	p. 119
	Liquid soap	p. 119
	Toilet paper	p. 119
	Paper towels	p. 119
<b>Foam soap dispensers</b>	Automatyczne	MED/LAB: p. 41
	Manual	HIT: p. 12 / JET: p. 34 / MED/LAB: p. 41 / POP: p. 46, 47
	Built-in	p. 115
<b>Flush plates</b>		p. 113
<b>Hair dryers</b>	Pool hair dryers	p. 74
	Hotel dryers	p. 72-73
<b>Hand dryers</b>	Dyson	p. 81-82
	Blade / pocket type	p. 80
	Wall-mounted	p. 78-80
<b>Hooks</b>	Vandal-resistant	p. 111
<b>Liquid soap dispensers</b>	Automatic	HIT: p. 12 / MED / LAB: p. 41-42 / LUNA: p. 37
	Manualne	HIT: p. 12 / CALMA: p. 14 / DARK: p. 26-27 / DUO: p. 28 / ECO: p. 30-31 / JET: p. 34 / LUNA: p. 36 / POP: p. 46-47 / TOP: p. 51
	Elbow-operated	POP: p. 16 / MED: p. 40, 42
	Built-in	p. 113

<b>Mirrors</b>	Hotel mirrors	p. 89 – 90
	Tilt mirrors	p. 87 – 88
	Vandal-resistant	p. 88
<b>Napkin dispensers</b>		p. 50
<b>Paper towel dispensers</b>	Z-fold paper towels	CALMA: p. 25 / DARK: p. 27 / DUO: p. 29 / ECO: p. 31 / HIT: p. 13 / JET: p. 34 / LUNA: p. 37, 38 / HIT: p. 13 / POP: p. 48
	Roll paper towels	CALMA: p. 25 / HIT: p. 13, 14 / JET: p. 35 / POP: p. 48, 49
	Built-in	p. 115, HIT: p.18-19
	Industrial roll dispensers	p. 118
<b>Sanitary pad &amp; tampon dispensers</b>		p. 117
<b>Sanitizer dispensers</b>	Automatic	HIT: p. 12 / LUNA: p. 37 / MED/LAB: p. 42
	Łokciowe	MED/LAB: p. 40
	Manual	HIT: p. 12
	Built-in	p. 115
<b>Toilet bowls</b>		p. 109 – 110
<b>Toilet brushes</b>		HIT: p. 15
<b>Toilet paper dispensers</b>	For grab rails	p. 70
	For toilet paper rolls	CALMA: p. 24 / DARK: p. 27 / DUO: p. 29 / ECO: p. 31 / HIT: p. 14 / JET: p. 34 / LUNA: p. 37 / POP: p. 49
	Interfold (sheet) paper	POP: p. 50
<b>Toilet seats</b>		For stainless steel toilets p. 113
<b>Urinals</b>	Vandal-resistant	p. 109
	Waterless (Urimat)	p. 94
	Consumables	p. 119
<b>Waste bins</b>	Wall-mounted	HIT p. 15-18, LUNA – p. 38
	Pedal bins	p. 92
	Built-in	HIT: p.18-19
<b>Washbasins</b>		p. 111-112

# FANECO

Faneco is a manufacturer and distributor of comprehensive public restroom equipment, including solutions designed for individuals with mobility impairments.

Our offer is tailored to architects, designers, construction, development, and finishing companies, as well as a broad range of clients across multiple industries, including:

- Public Infrastructure – stadiums, airports, railway and bus stations, metro stations, sports facilities
- Retail and Hospitality – shopping centers, gas stations, restaurants, pubs
- Public Administration – office buildings, public utility facilities
- Hospitality – hotels, conference centers, guesthouses
- Healthcare – medical offices, hospitals, clinics, sanatoriums
- Education – kindergartens, primary and secondary schools, universities
- Cultural Institutions – museums, cinemas, theaters, libraries
- Industry – production plants and social facilities

Thanks to our flexible approach and extensive experience, we successfully execute projects of various scales—from individual orders to large public investments and tenders.

## Why Partner with Faneco?

- **EXPERT CONSULTATION**  
We assist in selecting the right products and preparing offers tailored to each client's specific needs.
- **EFFICIENT LOGISTICS**  
With our own warehouses and partnerships with leading logistics operators across Europe, we ensure fast and timely deliveries.
- **MARKETING SUPPORT**  
We provide our partners with promotional materials and professional product training.
- **EXTENSIVE PRODUCT RANGE**  
A broad selection of public restroom equipment suited to different price segments and client requirements.
- **ATTRACTIVE BUSINESS TERMS**  
We offer flexible cooperation models, competitive discounts, and sales support systems.
- **COMPREHENSIVE SERVICE**  
We provide trade and logistics assistance at every stage of cooperation, ensuring a high standard of service.
- **FLEXIBILITY**  
We adapt to the specific needs of clients across various industries, including construction, retail, hospitality, public administration, healthcare, education, culture, and industry.

We are looking for business partners with experience in B2B restroom equipment sales who understand their local market and have a stable client base.

For more details on collaboration opportunities, please contact our sales department

# faneco

**Faneco** Ltd.  
ul. Aleksandra Fredry 1/16  
61-701 Poznań, Poland

+48 61 6100212  
info@faneco.com

NIP 7781342896, REGON 63126548300000

## SALES MANAGER

*Krzysztof Walczak*  
k.walczak@faneco.com

## SALES DEPARTMENT

Bartosz Świątek  
+48 512 003 356  
b.swiatek@faneco.com

Marinus Akkerman  
+48 535 477 796  
m.akkerman@faneco.com

**You are welcome to contact us from Monday to Friday between 8:00 AM and 4:00 PM.**



**GO TO WEB PAGE**

***faneco***

**[www.faneco.com](http://www.faneco.com)**